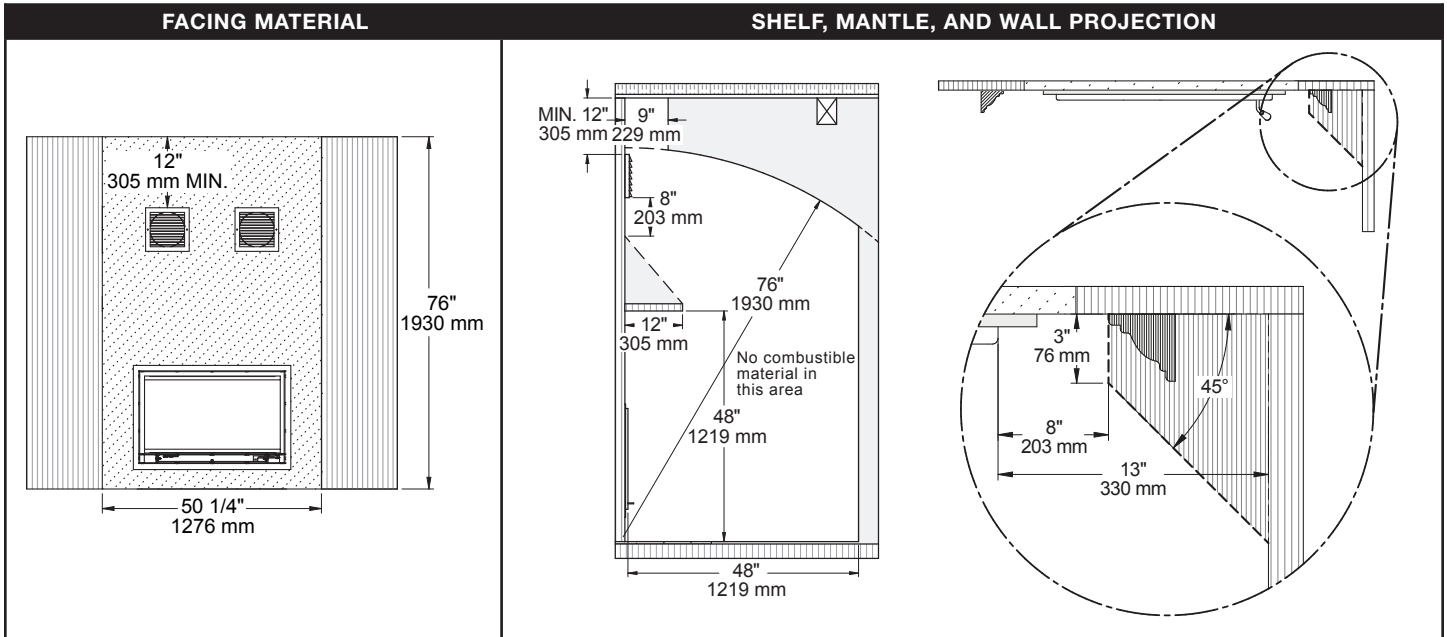


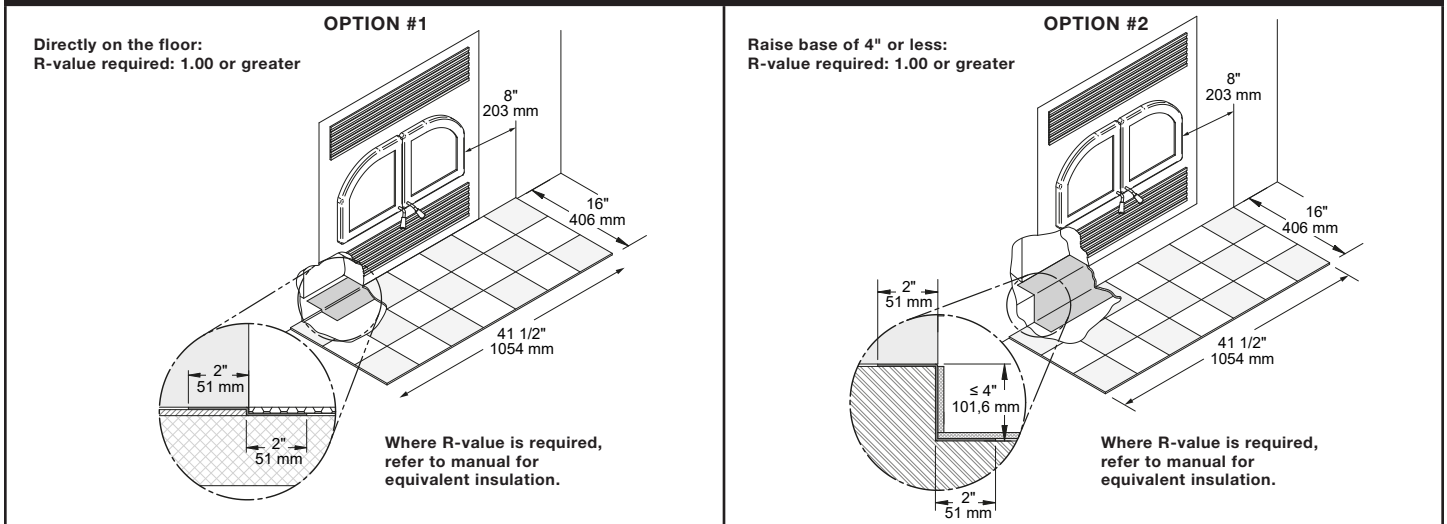
**THIS QUICK REFERENCE PRODUCT SHEET IS NOT COMPLETE AND IS SUBJECT TO CHANGE WITHOUT NOTICE. ALWAYS REFER TO OWNER'S MANUAL ACCOMPANYING THE PRODUCT TO AVOID RISK OF FIRE AND INJURIES. ADDITIONAL INFORMATION CAN BE FOUND IN THE OWNER'S MANUAL ONLINE AT WWW.ENERZONE-INTL.COM**

APPLIANCE DIMENSIONS		FRAMING DIMENSIONS
<p>Front view dimensions: 50 1/4" (1276 mm) total width, 35 3/8" (898 mm) inner width, 25 1/8" (638 mm) distance between gas valves, 14 7/8" (378 mm) distance between air inlets, 6" (150 mm) diameter air inlets, 13 3/8" (341 mm) height to top of air inlets, 9 1/8" (231 mm) height to top of main body.</p> <p>Side view dimensions: 40 5/8" (1032 mm) height to top of main body, 2 1/2" (64 mm) depth, 37 1/4" (945 mm) height to top of firebox, 16 5/8" (422 mm) height to top of firebox, 4 7/8" (125 mm) height to bottom of main body, 14 3/4" (376 mm) distance between air inlets, 15 3/4" (376 mm) distance between air inlets, 24" (609 mm) distance between air inlets, 27" (686 mm) distance between air inlets.</p> <p>Top view dimensions: 10 3/8" (265 mm) height of firebox opening, 25 3/8" (645 mm) width of firebox opening.</p>		<p>Overall height: 76" (1,930 mm)</p> <p>Distance between side studs: 25" (635 mm)</p> <p>Distance between front and back studs: 51 1/4" (1,300 mm)</p> <p>Distance from top of fireplace to top of frame: 41 5/8" (1,058 mm)</p>
<p>Distance from fireplace to corner: 60" (1523 mm)</p> <p>Distance from fireplace to corner: 60" (1523 mm)</p> <p>Distance from fireplace to corner: 18 1/2" (470 mm)</p> <p>Distance from fireplace to corner: 18 1/2" (470 mm)</p> <p>Overall width: 78 1/8" (1984 mm)</p>		<p>Distance from top of fireplace to top of chase: 76" (1930 mm)</p> <p>Distance from top of fireplace to top of chase: 41 5/8" (1058 mm)</p> <p>Label: "This space must remain empty."</p> <p>Label: "ELECTRICAL INLET"</p> <p>Label: "VARIABLE **"</p>
CORNER INSTALLATION		
<p><b>Combustible material allowed in this area</b> (diagonal hatching)</p> <p><b>Non-combustible material only in this area</b> (cross-hatching)</p>		
<p>* Where applicable, add 12" for fresh air pipe and/or 18" for forced air pipe to the width of the chase. When drywall panels or any other finishing material inside the chase around the fireplace is to be used, add its thickness to the measurement.</p> <p>** For height equal or less than 4", see hearth extension section on reverse.</p>		

**THIS QUICK REFERENCE PRODUCT SHEET IS NOT COMPLETE AND IS SUBJECT TO CHANGE WITHOUT NOTICE. ALWAYS REFER TO OWNER'S MANUAL ACCOMPANYING THE PRODUCT TO AVOID RISK OF FIRE AND INJURIES. ADDITIONAL INFORMATION CAN BE FOUND IN THE OWNER'S MANUAL ONLINE AT [WWW.ENERZONE-INTL.COM](http://WWW.ENERZONE-INTL.COM)**



**HEARTH EXTENSION CONSTRUCTION AND DIMENSIONS**



**LEGEND**

<p><b>Combustible material allowed in these areas</b></p>	<p><b>Non-combustible material only in this area</b></p>
<p><b>Non-combustible floor protection</b></p>	<p><b>Non-combustible floor covering</b></p>

