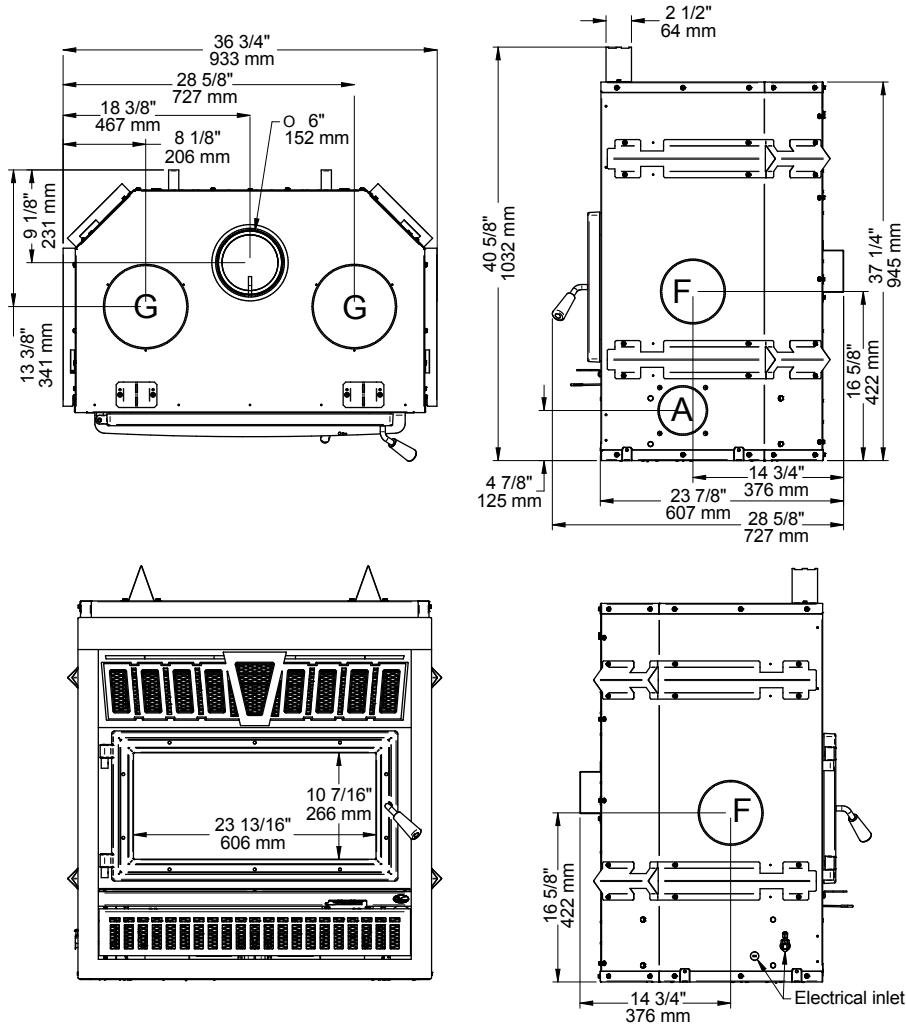
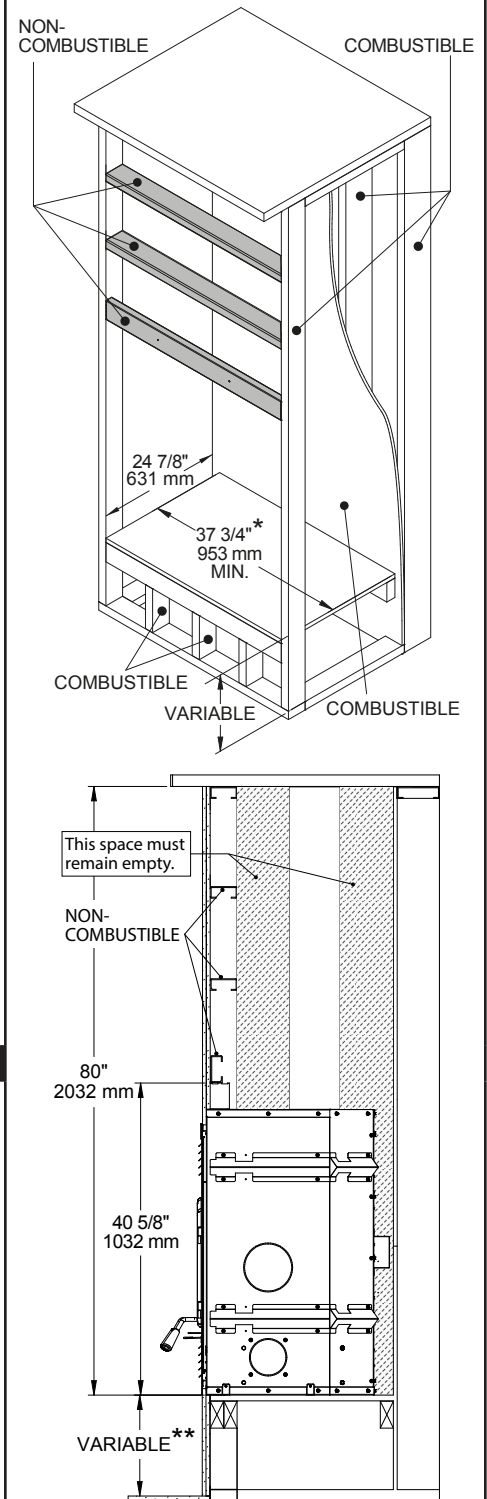


THIS QUICK REFERENCE PRODUCT SHEET IS NOT COMPLETE AND IS SUBJECT TO CHANGE WITHOUT NOTICE. ALWAYS REFER TO OWNER'S MANUAL ACCOMPANYING THE PRODUCT TO AVOID RISK OF FIRE AND INJURIES. ADDITIONAL INFORMATION CAN BE FOUND IN THE OWNER'S MANUAL ONLINE AT WWW.VALCOURTINC.COM.

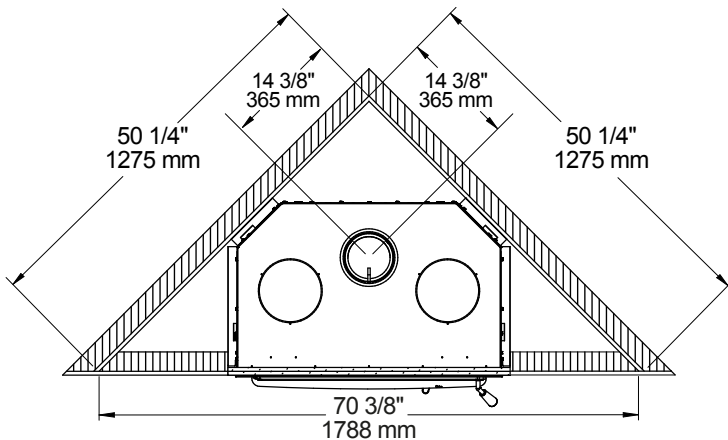
APPLIANCE DIMENSIONS



FRAMING DIMENSIONS



CORNER INSTALLATION

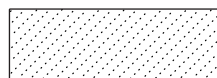


LEGEND

Combustible material allowed in this area



Non-combustible material only in this area



* Where applicable, add 12" for fresh air pipe and/or 18" for forced air pipe to the width of the chase. When drywall panels or any other finishing material inside the chase around the fireplace is to be used, add its thickness to the measurement.

** For height equal or less than 4", see hearth extension section on reverse.

THIS QUICK REFERENCE PRODUCT SHEET IS NOT COMPLETE AND IS SUBJECT TO CHANGE WITHOUT NOTICE. ALWAYS REFER TO OWNER'S MANUAL ACCOMPANYING THE PRODUCT TO AVOID RISK OF FIRE AND INJURIES. ADDITIONAL INFORMATION CAN BE FOUND IN THE OWNER'S MANUAL ONLINE AT WWW.VALCOURTINC.COM.

FACING MATERIAL	SHELF, MANTLE, AND WALL PROJECTION															
<p>Non-combustible facing material must extend to the ceiling and have minimum height of 80" (2032 mm).</p>	<table border="1" style="margin-top: 20px; width: 100%; border-collapse: collapse;"> <caption style="text-align: center;">POSITIONING AND DEPTH OF THE SHELF</caption> <thead> <tr> <th></th> <th>58" (1,47 m)</th> <th>60" (1,52 m)</th> <th>62" (1,58 m)</th> <th>64" (1,63 m)</th> </tr> </thead> <tbody> <tr> <td>B</td> <td>58" (1,47 m)</td> <td>60" (1,52 m)</td> <td>62" (1,58 m)</td> <td>64" (1,63 m)</td> </tr> <tr> <td>C</td> <td>6" (152 mm)</td> <td>8" (203 mm)</td> <td>10" (254 mm)</td> <td>12" (305 mm)</td> </tr> </tbody> </table>		58" (1,47 m)	60" (1,52 m)	62" (1,58 m)	64" (1,63 m)	B	58" (1,47 m)	60" (1,52 m)	62" (1,58 m)	64" (1,63 m)	C	6" (152 mm)	8" (203 mm)	10" (254 mm)	12" (305 mm)
	58" (1,47 m)	60" (1,52 m)	62" (1,58 m)	64" (1,63 m)												
B	58" (1,47 m)	60" (1,52 m)	62" (1,58 m)	64" (1,63 m)												
C	6" (152 mm)	8" (203 mm)	10" (254 mm)	12" (305 mm)												

HEARTH EXTENSION CONSTRUCTION AND DIMENSIONS

OPTION #1

Directly on the floor:
R-value required: 1.00 or greater

Where R-value is required, refer to manual for equivalent insulation.

OPTION #2

Raise base of 4" or less:
R-value required: 1.00 or greater

Where R-value is required, refer to manual for equivalent insulation.

LEGEND

<p>Combustible material allowed in these areas</p>	<p>Non-combustible material only in this area</p>
<p>Non-combustible floor protection</p>	<p>Non-combustible floor covering</p>

OPTION #3

Raise base of more than 4":
No R-value required

Floor covering
Floor protection