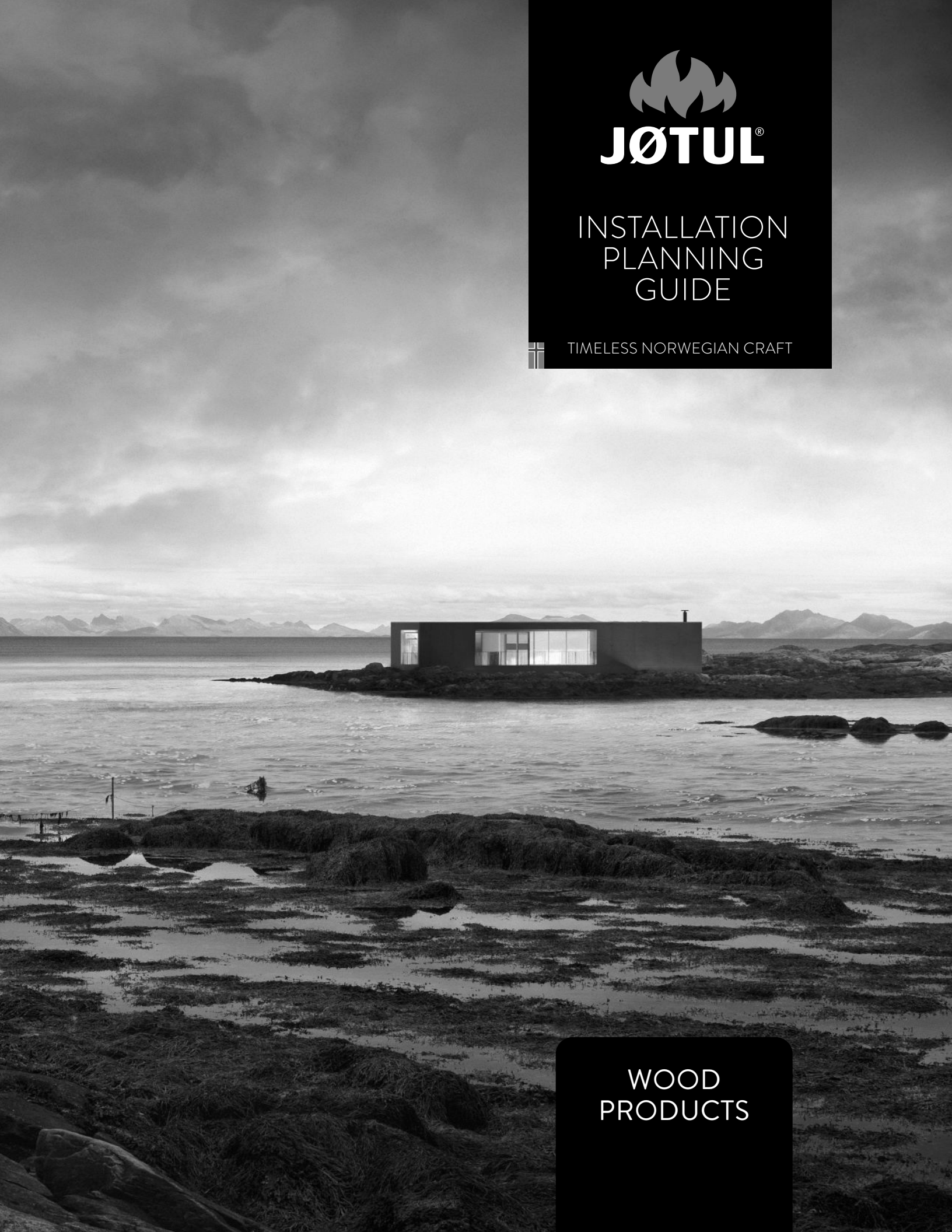




JØTUL®

INSTALLATION
PLANNING
GUIDE

TIMELESS NORWEGIAN CRAFT



WOOD
PRODUCTS

We wish you success...

This booklet is intended to provide you with a solid base of information with which to plan the successful installation of your new Jøtul fireplace. Within these pages, you will find complete specifications for each Jøtul wood-burning heater, along with general guidelines to help ensure a safe, effective, and trouble-free installation. Your local authorized Jøtul dealer also stands ready to answer any questions you may have and is your best resource for information specific to building codes and other local requirements.

This book is not intended to replace the Installation and Operation Manual included with each Jøtul fireplace. Be sure to install your heater according to those instructions.

Contents

General Information

Safety Standards	4
General Considerations	5
Chimney Requirements	6

Freestanding Cast Iron Stoves

Jøtul F 602 V2	10
Jøtul F 500 V3 Oslo	12

Freestanding Steel Stoves

Jøtul F 45 V2 Greenville	14
Jøtul F 55 V2 Carrabasset	16

Chimney Connector Clearances	17
-------------------------------------	-----------

General Information

Professional Installation

We at Jøtul North America are dedicated to manufacturing the finest quality hearth products that you can be assured will provide many years of safe, dependable service.

To ensure your satisfaction, we recommend that whenever possible our products be installed and serviced by hearth professionals who are certified by the National Fireplace Institute (NFI) or, in Canada, by Wood Energy Technical Training (WETT).

Your local Jøtul Authorized Dealer is your best resource for a safe and effective installation.



Test Standards

All Jøtul wood-burning stoves and fireplaces comply with National Safety standards and are tested and listed by Intertek Testing Services of Middleton, Wisconsin to ANSI / UL 1482 for the U.S. and CAN / ULC-S627-M93 for Canada.

Planning Your Installation

Building Codes and Installation Standards

Your city, town, county or province may require a building permit to install a wood-burning heater. Always consult your local building inspector or authority having jurisdiction to determine what regulations apply in your area. Your local official is always the final authority in determining the acceptability of a proposed installation.

In the U.S., the National Fire Protection Association's Code, NFPA 211, Standards for Chimneys, Fireplaces, Vents and Solid Fuel Burning Appliances, or similar regulations may apply in your area.

In Canada, pertinent guidelines are established by the CSA Standard, CAN/CSA-B365-M93, Installation Code for Solid-Fuel Burning Appliances and Equipment.

In addition, you should consult your insurance company regarding any other specific requirements that may be necessary.

Mobile Home Installation

The F 45 V2 Greenville is approved for installation into mobile homes in the United States and Canada. The F 500 V3 Oslo is approved for the United States. Consult the specific owners manual for more details.

- The stove must be secured to the floor of the mobile home. Use the following Floor Bracket Kit depending upon the model:
F45 V2 - Floor Bracket Kit 157321
F500 V3- Floor Bracket Kit, Long Leg (8") 750304
- Use the following Outside Air Kit to provide outside combustion air depending upon the model:
F45 V2 - Outside Air Kit 157637
F500 V3 - Outside Air Adapter 154333
- Use only listed double-wall pipe for the chimney connection.
- The stove must be grounded to the mobile home chassis.
- The stove must otherwise be installed in accordance with 24CRR, Part 3280 (HUD).

Consult your local building inspector or fire officials about restrictions and requirements in your area prior to installation.

Choosing the Right Heater

The ability of one of our stoves to heat your home depends on many different factors. First you will need to identify what your expectations are; will the heater be used to provide ambiance for a gathering room, supplemental heat for several rooms, or primary heat for the whole house? Other issues to consider include how large your home is, how tight is its construction, the design of the floor plan, how cold the climate is in your area, what type and quality of wood you burn.

Each of our stoves and fireplaces has a heating capacity expressed in square feet. This figure is given for an average home in a moderate climate with an open floor plan. You will have to adjust up or down depending on your individual situation. Remember, you will be generally be better satisfied with a stove that's slightly undersized for your needs than you will be with one that is oversized. A stove that is too large will not be allowed to burn fuel efficiently without overheating the room.

Choosing the Right Location

Jøtul wood heaters take advantage of the thermal properties of cast iron and radiant heat to warm the immediate area around the stove quite effectively. The entire room and its furnishings will absorb this heat and become warm themselves. Radiant heaters perform best when installed in central, open locations that provide plenty of air circulation to aid heat convection into other areas of the home.

You can enhance air movement through use of floor and wall registers, ceiling fans and open doorways. Consult your Jøtul dealer regarding simple, yet creative ways to get the most out of your wood heater.

Chimney Requirements

Often, the stove location may be dictated by the location of an existing chimney. There are two types of chimneys suitable for use with solid fuel-burning appliances;

1. A code-approved masonry chimney with a ceramic tile or listed steel flue liner.
2. A listed, prefabricated Type HT (2100°F) steel chimney complying with UL 103 or ULC S629.

Any existing chimney must be thoroughly inspected before installing the stove.

The chimney is the single most important factor in determining how successful your stove will perform. The force of the air moving through the chimney is called draft. Anything that affects draft will have a consequent affect on your stove's performance. Several factors affect draft: chimney height, cross-sectional area (size), masonry vs prefabricated, chimney temperature, prevailing wind conditions, and the surrounding physical environment. Your Jøtul dealer can best advise you on selecting the best chimney for your needs, or on how to ensure the best performance from an existing chimney.

A short exterior masonry chimney will provide the poorest performance because it will be difficult to warm the flue and sustain temperatures necessary to maintain draft strength. In extremely cold climates, it may be necessary to reline the chimney or extend the height to help strengthen draft. Generally, a chimney should be no shorter than 14 ft.

A tall, interior masonry chimney will be easier to keep warm, sustain strong draft, and will be less likely to be affected negatively by weather conditions or other environmental factors.

Chimney Requirements

Masonry Chimneys

A masonry chimney should conform to the following guidelines:

- The chimney must have a fireclay liner or equivalent, with a minimum thickness of 5/8" and must be installed with refractory mortar. There must be at least 1/4" air space between the flue liner and the chimney wall.

- The chimney flue size should not be less than the cross-sectional area of the stove flue collar.

The cross-sectional area of the flue of a chimney with no walls exposed to the outside below the roofline shall not be more than three times the cross-sectional area of the stove flue collar.

The cross-sectional area of the flue of a chimney with one or more walls exposed to the outside below the roofline shall not be more than two times the cross-sectional area of the stove flue collar.

Larger chimney flues should be relined with a listed or code-approved liner.

- Brick or modular block must be a minimum 4" nominal thickness. Stone construction must be at least 12" thick.
- * A newly-built chimney must conform to local codes, or, in that absence, must comply with national regulations.
- No other appliance may be connected to the same flue.
- An airtight clean-out door should be located at the base of the chimney.

Prefabricated Chimneys

Prefabricated metal chimneys offer an alternative when masonry construction may not be practical. Use only a High Temperature (HT) chimney system tested and listed for use with solid fuel-burning appliances. Follow the manufacturer's installation instructions exactly and confirm that clearances are maintained as specified by the manufacturer.

Chimney Height

Whether masonry or prefabricated steel, any chimney must be at least 3 feet higher than the highest point where it passes through the roof and at least 2 feet higher than the highest part of the roof or structure that is within 10 feet of the chimney, measured horizontally. See figure 1.

Chimneys shorter than 14 feet may not provide adequate draft and can result in smoke spillage when loading the stove. Poor draft can also cause back-puffing (ignition of gas buildup in the firebox) and sluggish performance. The minimum chimney height does not, in itself, guarantee satisfactory chimney performance.

Excessive chimney height can promote overly strong draft resulting in high stove temperatures and short burn times.

Avoid locating the chimney close to building structures, trees, or other environmental objects that may interfere with draft stability or cause nuisance to neighbors.

Your Jøtul dealer is your best resource for information regarding draft issues and how best to avoid other performance related problems.

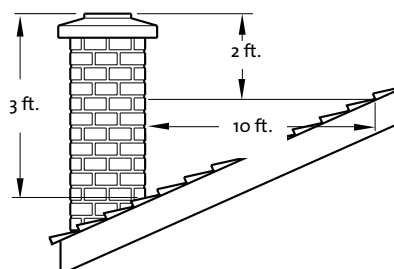


Figure 1. The 3' / 2' / 10' Chimney Rule.

Chimney Connection

Single wall steel stovepipe having a minimum 24 gauge thickness is suitable for connecting your heater to a masonry or prefabricated factory-built chimney flue. Always assemble the sections keeping the crimped ends pointing toward the stove. Secure each joint with three sheet metal screws. Clearance to adjacent combustible surfaces must be maintained. See the individual product clearance charts for these specifications.

Use double-wall, air insulated pipe for runs exceeding 10 ft. Any horizontal chimney connection run must include 1/4" rise per foot and should not exceed 3 ft.

Double-wall pipe can be used to achieve reduced clearance to adjacent combustible surfaces with or without additional shielding.

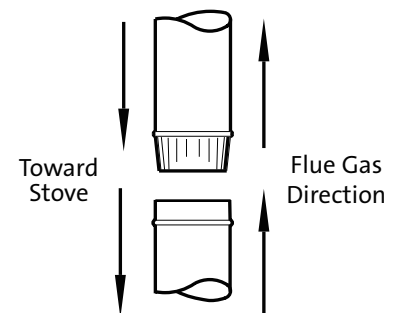


Figure 2. Assemble chimney connection sections crimped end toward stove.

Wall Pass-throughs

Follow these guidelines for passing a chimney connector through a combustible wall.

For U.S.: Installation must conform to NFPA 211, Standard for Chimneys, Fireplaces, Vents, and Solid Fuel Burning Appliances. Consult your local building inspector before proceeding.

Common Methods

See Figures 3-6.

- Remove all combustible materials from the pass-through area (around the chimney connector), to maintain clearance as specified for System alternatives A-D.
- Any pass-through for single-wall pipe must be at least 18" from combustible ceiling materials.
- It may be necessary to cut wall studs, install headers, and construct a sill frame to maintain the proper dimensions and to support the weight of the brick.
- Bricks must be solid and having a 3" minimum thickness (4" nominal).
- Refractory mortar must be used at the junction of the chimney and the pass-through liner. The pass-through liner must not penetrate the chimney liner. Use extreme care when penetrating the liner as the fireclay can shatter easily.

For Canada: Installation must conform to CAN/CSA B365-M91, Sect. 5.3.1 and 5.3.2. Installation Code for Solid Fuel Burning Appliances and Equipment. Consult your local building inspector before proceeding.

Common Method:

- Remove all combustible materials from at least 12" around the chimney connector location. A 6" diameter liner requires a minimum opening 31" x 31" square.
- Locate the pass-through at least 18" from combustible ceiling materials.
- The space that is cleared of combustible materials must remain empty. Sheet metal panels may be used to cover the area, if a single panel is used, it may be installed flush with the wall. If a panel is installed on each side of the wall, each must be spaced off the walls using 1" noncombustible spacers.

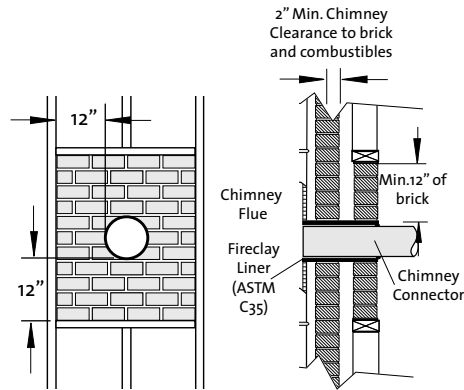


Figure 3. Bricked-in Fireclay Liner used as thimble

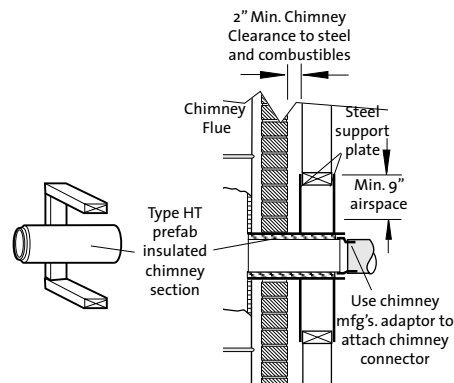


Figure 4. HT insulated prefab chimney section used as thimble.

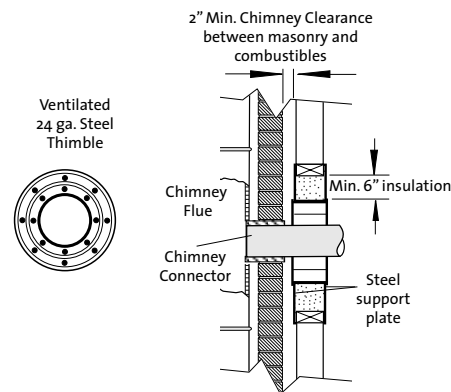


Figure 5. Steel thimble.

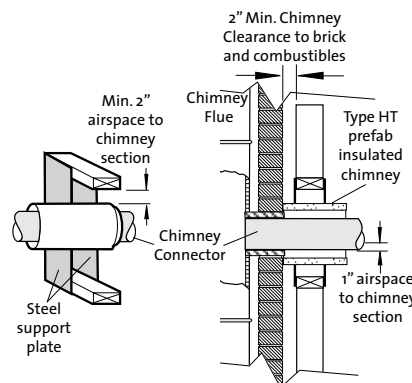


Figure 6. HT insulated prefab chimney section used as pass-through.

System A:

Minimum 3 1/2 in. thick brick masonry wall framed into combustible wall with a minimum of 12 in. brick separation from the clay liner to combustibles. A fireclay liner with a minimum 5/8" wall thickness shall run from the outer surface of the brick wall to, but not beyond, the inner surface of chimney flue liner and must be firmly cemented in place.

System B:

Solid-insulated, listed factory-built chimney length of the same inside diameter as the chimney connector and having 1 in. or more of insulation with a minimum 9 in. air space between the outer wall of the chimney length and combustibles.

The inner end of the chimney length shall be flush with the inside of the masonry chimney flue and shall be sealed to the flue and to the brick masonry penetration with a non-water-soluble refractory cement. Supports shall be securely fastened to wall surfaces on both sides.

Fasteners between supports and the chimney length shall not penetrate the chimney liner.

System C:

Sheet steel chimney connector, minimum 24 ga. thickness, with a minimum 24 ga. ventilated steel thimble, having two 1 in. air channels, separated from combustibles by a minimum of 6 in. of fiberglass insulation. Opening shall be covered, and thimble supported with a sheet steel support, minimum 24 ga. in thickness.

Supports shall be securely fastened to wall surfaces on all sides and shall be sized to fit and hold chimney section. Fasteners used to secure chimney section shall not penetrate chimney flue liner.

System D:

Solid-insulated, listed factory-built chimney length with an inside diameter 2 in. larger than the chimney connector and having 1 in. or more of insulation, serving as a pass-through for a single wall sheet steel chimney connector of minimum 24 ga. thickness, with a minimum 2 in. air space between the outer wall of chimney section and combustibles.

Minimum length of chimney section shall be 12 in. Chimney section concentric with and spaced 1 in. away from connector by means of sheet steel support plates on both ends of chimney section. Opening shall be covered, and chimney section supported on both sides with sheet steel supports of minimum 24 ga. thickness.

Supports shall be securely fastened to wall surfaces on all sides and shall be sized to fit and hold chimney section. Fasteners used to secure chimney section shall not penetrate chimney flue liner.

Chimney Connections

Masonry Chimney Connection

Connection to a masonry chimney is accomplished with use of a fireclay or steel thimble which must be securely cemented in place. The chimney connector must slide completely inside the thimble to the inner surface of the flue liner, but not into the flue area. See fig 7. Depending on the inside diameter of the thimble, it may be necessary to use a thimble sleeve between the thimble and the chimney connector pipe.

Never connect a stove to a chimney flue that is used by another appliance of any kind.

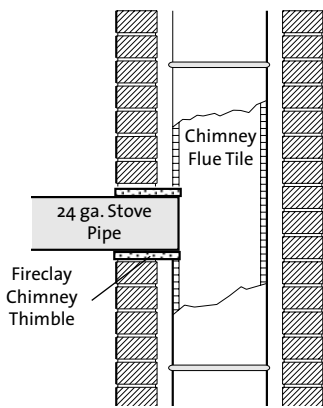


Figure 7. Chimney connection to a masonry chimney flue.

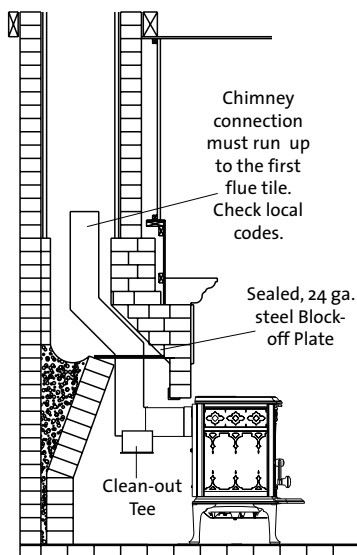


Figure 8. Connection to a masonry fireplace.

Hearthmount into a Masonry Fireplace

Your stove may be installed into a masonry fireplace in accordance with local building codes. To enable your stove to fit under a variety of lintel heights, an optional short leg kit is available for the F 500 stove which will reduce those stove heights by 2 1/4”.

- The chimney must be thoroughly cleaned, inspected and any repairs made before installing the stove and chimney connection. If no tile liner is present, an approved, listed chimney relining system must be installed. Consult your dealer regarding the best system for your needs.
- NFPA 211 requires that the flue must be sealed off from the living area of the house by one of two methods:
 1. The fireplace damper is removed or permanently secured in the open position. A separate sheet metal block-off plate is installed in the damper area through which the chimney connector pipe will pass from the stove flue collar up to the chimney flue. See fig 8. Use high-temperature silicone to seal the seams around the plate, damper frame and connector pipe.
 2. An approved, listed chimney liner is installed between the stove flue collar and a sealed chimney cap. No block-off plate is required, however, the flue may be insulated at the damper area to prevent heat loss from the home.

Connection to Zero-Clearance Prefabricated Fireplace

Jøtul freestanding models are approved for installation into a factory-built fireplace with use of an HT chimney relining kit, listed to UL 1777. Your Jøtul dealer can provide details on various systems available for this purpose. See fig. 9.

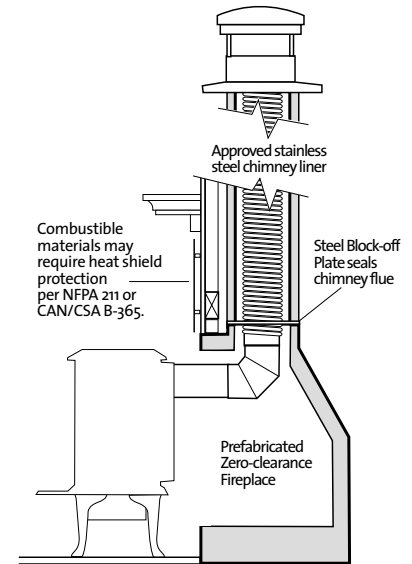


Figure 9. Connection to zero-clearance prefabricated fireplace.

Connecting to Prefabricated Chimney

Always follow the pipe manufacturer's instructions and use all of the components required. Most prefabricated chimney systems include a stove pipe adaptor to provide a secure transition from the stovepipe to the chimney pipe. See fig.10 .

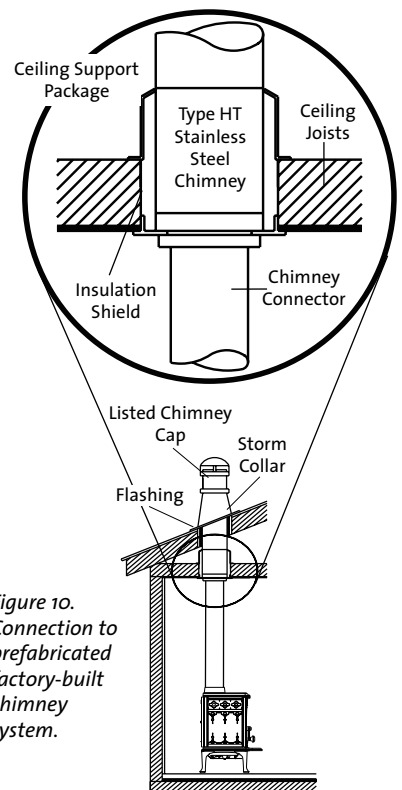


Figure 10. Connection to prefabricated factory-built chimney system.

Clearance Guidelines

Clearance to Walls and Ceilings

All radiant stoves and fireplaces give off a tremendous amount of heat. Consequently, care must be taken to provide ample airspace between the heater and adjacent combustible materials. A combustible material is any that contains combustibles within or on its surface. All Jøtul wood-burning heaters are tested to national safety standards to determine the specific clearance for a variety of installation configurations. Note that stove clearances are measured from the top plate to the combustible surface. Chimney connector (stovepipe) clearances must also be taken into consideration. These are measured from the pipe surface to the adjacent wall or ceiling.

Hearthmount installations will require that clearances be maintained between combustible mantels, trim and side walls. Note the specific clearances for each Jøtul heater on the individual product pages.

Reducing Clearances

Clearances can be reduced in two ways: install a heat shield on the stove or install a heat shield on walls, ceilings or mantels, conforming to guidelines established in the current editions of NFPA 211 for the U.S. and CAN/CSA B365 for Canada.

Stove and Chimney Connector Heat Shields

Our optional heat shields offer an easy way to reduce clearance to the rear of the stove. In the case of a top-exiting stove, the chimney connector may also require shielding. Most connector manufacturers provide these optional shields for easy attachment.

Double-wall Chimney Connector

Double-wall chimney connection pipe can also be used to achieve a reduced clearance. Where a tested clearance is not available for a particular stove, use the manufacturer's clearance.

Wall Shielding

Approved wall shielding materials include minimum 24 gauge sheet metal, 1/2 inch noncombustible insulation board, or brick laid flat. Any of these materials must be spaced 1 inch off the wall and be installed to provide a 1 inch air space at the top and bottom to allow full air circulation. In the U.S., this protection permits a 66% reduction from published clearances, but no closer than 12". See fig. 11.

Fireplace Mantel and Trim Clearances

Published mantel and trim clearances can be reduced by constructing shielding conforming to NFPA 211 or CAN/CSA-B365 standards. For example, in the U.S., installation of 24 ga. sheet metal shield spaced 1" off the mantel will enable a 50% reduction of the published clearance, but no closer than 18".

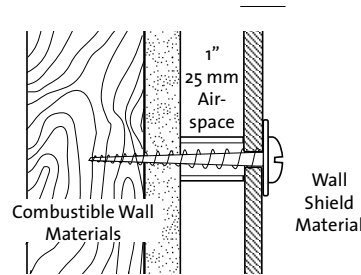


Figure 11. Shield spacer detail.

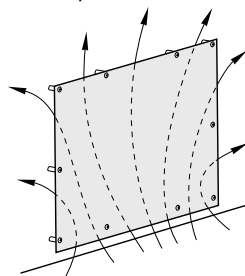


Figure 12. Open wall shield construction. Do not install spacers directly behind the stove or connector.

Floor Protection

Woodburning stoves and fireplaces installed on combustible floors require specific floor protection. Any floor that is not masonry on earth must be considered to be combustible. The floor protector will serve to prevent fire hazard from wayward sparks and embers and also provide a barrier to the long term effects of radiant heat. You can either purchase a listed prefabricated hearth pad or construct your own following NFPA 211 guidelines. Bottom Heat Shields are included with all Jøtul woodstoves to provide an additional measure of floor protection as specified in the installation manual.

Floor protection dimensions vary depending upon the size of the unit and whether or not it has a side load door. Generally, hearth protection must extend 18" from any loading door opening. This requirement is reduced to 16" in the U.S. only for Jøtul model F 602. Check the individual product pages for specific dimensions.

Fireplace Hearths

A hearthmount installation may require additional protection beyond the original fireplace hearth if it does not meet the minimum dimensions. Be sure to confirm that the fireplace hearth is large enough to accommodate the stove or insert.

Alcove Installations

Jøtul freestanding stoves are approved for installation into Alcoves constructed with combustible materials following these requirements:

1. The stove must be installed with the chimney connector, rear, and bottom heat shields as specified in the installation manual for that specific stove.
2. Wall protection, if used, must be installed on both sides and rear walls and conform to NFPA 211 or CAN/CSA-B365. It must be elevated 1" from the floor and be spaced at least 1" from the wall using noncombustible spacers to allow air circulation behind the shield.
3. The height of the wall protection will vary from stove to stove. Check the individual product pages for specific dimensions.
4. Alcove floor protection must consist of a UL/ULC or WHI listed hearth pad or a noncombustible material having a minimum R-value as specified for a particular model.
5. Note that ceiling height specifications will also vary from stove to stove and depend on whether or not ceiling protection is used. Check the individual product pages for specific dimensions.

Jøtul F 602 CB V2

- Heat Output Range:**¹ 15,200 to 49,576 BTU/hr.
Max. Heat Output: 28,000 BTU/hr.
Heating Capacity:² Up to 800 sq. ft.
Maximum Burn Time:² Up to 5 hours
EPA Efficiency:³ HHV: 70% LHV: 75.14%
CO Emissions:⁴ 1.18 g/min.
Pariculate Emissions:⁵ 2.11 g/hr.
Fuel Length: Up to 16" Logs
Weight: 160 lbs.

Bottom Heat Shield included
Not approved for mobile homes.

Optional Accessories

- Rear Heat Shield #HS-50
 - for top-exit installations only
- Stovetop Thermometer #5002
- Fresh Air Kit #156408

Hearth Protection

The included Bottom Heat Shield is required for use in any installation where the floor is composed of any material other than masonry over earth. Either of the following forms constitutes approved hearth protection:

- any UL, ULC or Warnock-Hersey listed hearth board.
- any noncombustible material with installation of the included Bottom Heat Shield.

The floor protection must have a minimum R value of 0.45.

Warning! Never put any type of floor protection on top of carpeting.

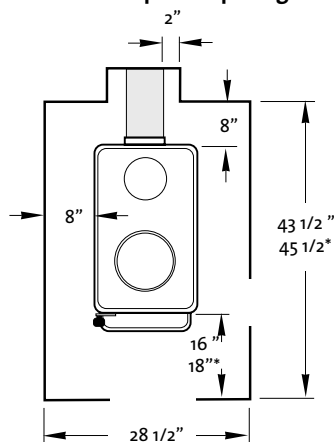


Figure 13. Minimum Hearth Dimensions.
 * Denotes requirement for Canada.

¹ Heat Output Range results are determined during specific emissions tests established by the EPA.
² Heating Capacity and Maximum Burn Time will vary depending on design of home, climate, wood type and operation
³ EPA Validated Efficiency: High Heat Value and Low Heat Value efficiencies are determined per the CSA B415.1-10 test method. The difference between the HHV and LHV is in how the energy in the exhaust gas water vapor is accounted. LHV efficiency assumes all the water vapor in combustion gas was condensed and the heat from such was recovered and transferred to the dwelling. HHV calculations do not assume all water vapor is condensed, therefore the HHV value is less than the LHV value.
⁴ Carbon Monoxide Emissions rate results from Test Method CSA B415.1-10.
⁵ Particulate Emissions rate is obtained using EPA Test Methods: ALT-125 (Cordwood Fuel), ASTM E2515-11, ASTM E3053-17

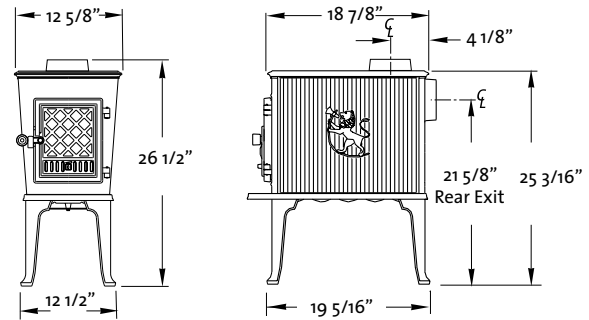


Figure 14. F 602 overall dimensions. See clearance chart on page 11 for flue collar centerlines.

Alcove Installation Requirements

- The Bottom Heat Shield must be installed.
- UL/ULC or WH listed hearth pad or a noncombustible material.
- If used, wall protection must extend 41" from the floor, including bottom air space. Both side and rear walls must be protected.
- Alcove Ceiling and Chimney Connector Clearances: Fig. 18.

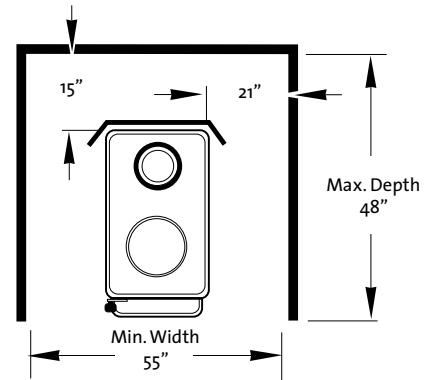


Figure 16. Alcove with double-wall pipe and Rear Heat Shield - No wall protection.

Fireplace Clearances

- A: Stove to Mantel, max. depth 8": 30"
 B: Stove to Top Trim, 1" thick or less: 21"
 C: Stove to Side Trim, 1" thick or less: 18"
 D: Unit to Side Wall : 24"

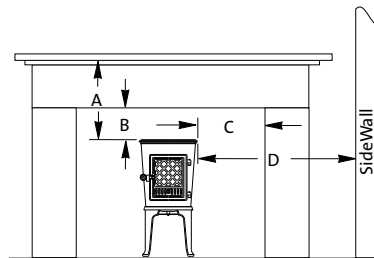


Figure 15. Fireplace Clearances.

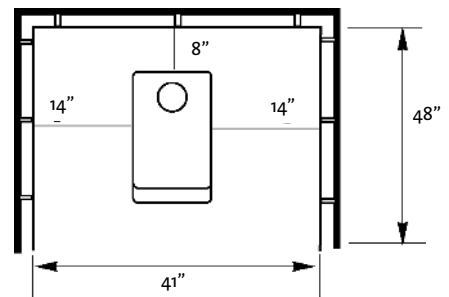


Figure 17. Alcove stove clearance with Double-wall pipe and wall protection.

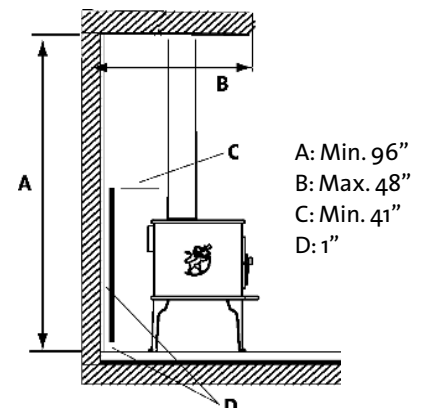


Figure 18. Alcove Ceiling and Connector Clearance.

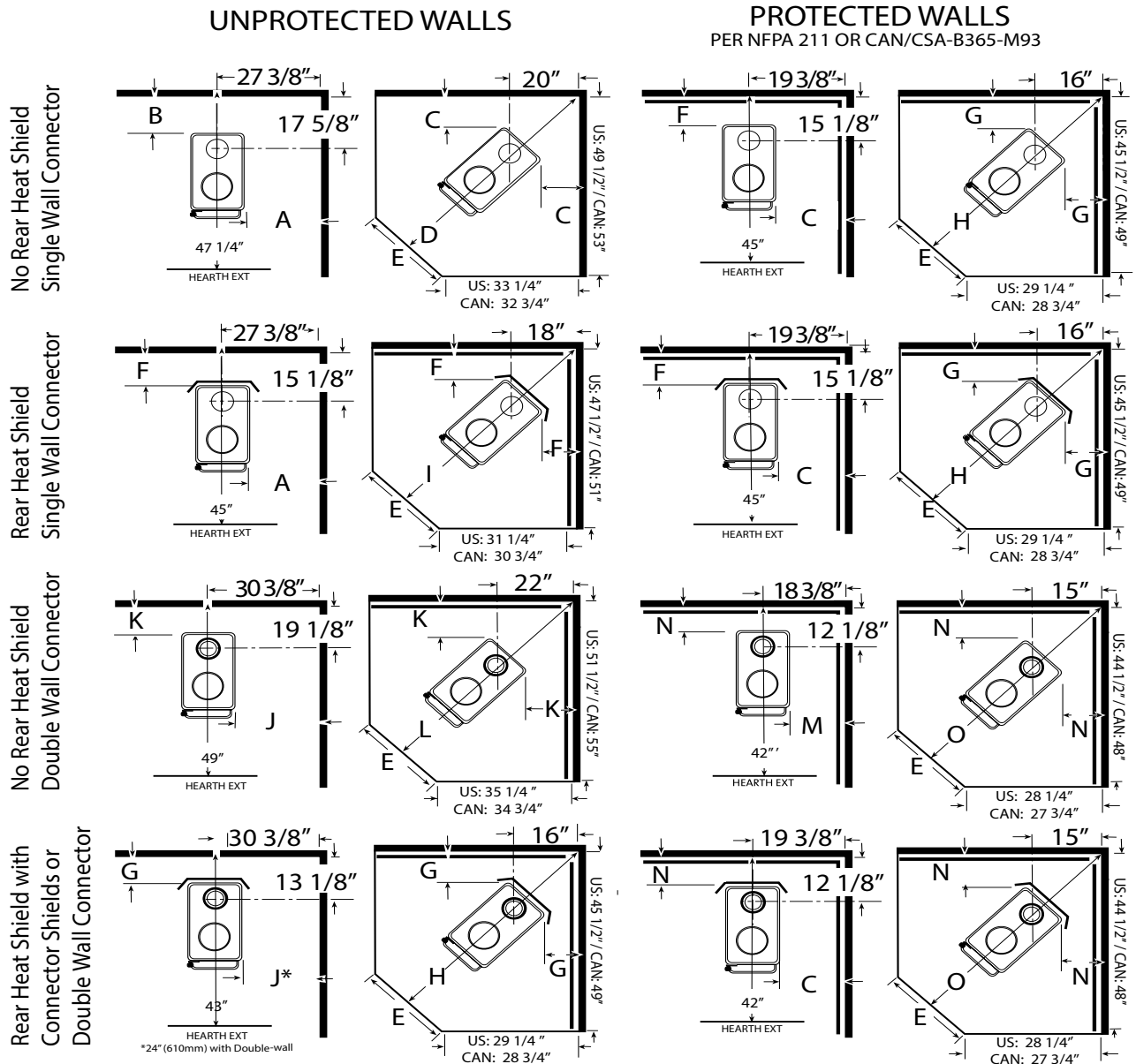
Jøtul F 602 CB V2

Stove Clearance Diagrams

	UNPROTECTED WALLS					PROTECTED WALLS PER NFPA211 OR CAN/CSA- B365-M93				
	SIDE	REAR	CORNER	CORNER TO FRONT FLOOR PROTECTION**	FRONT FLOOR PROTECTION WIDTH**	SIDE	REAR	CORNER	CORNER TO FRONT FLOOR PROTECTION**	FRONT FLOOR PROTECTION WIDTH**
Single Wall Connector No Heat Shield	A 21"	B 13 1/2"	C 13"	D US: 58 1/2" CAN: 60 1/2"	E US: 22 7/8" CAN: 28 5/8"	C 13"	F 11"	G 9"	H US: 52 7/8" CAN: 54 7/8"	E US: 22 7/8" CAN: 28 5/8"
Single Wall Connector w/Rear Heat Shield	A 21"	F 11"	F 11"	I US: 55 3/4" CAN: 57 3/4"	E US: 22 7/8" CAN: 28 5/8"	C 13"	F 11"	G 9"	H US: 52 7/8" CAN: 54 7/8"	E US: 22 7/8" CAN: 28 5/8"
Double Wall Connector No Heat Shield	J 24"	K 15 "	K 15 "	L US: 61 3/8" CAN: 63 3/8"	E US: 22 7/8" CAN: 28 5/8"	M 12"	N 8"	N 8"	O US: 51 1/2" CAN: 53 1/2"	E US: 22 7/8" CAN: 28 5/8"
Double Wall Connector w/Rear Heat Shield	J 24"	G 9"	G 9"	H US: 52 7/8" CAN: 54 7/8"	E US: 22 7/8" CAN: 28 5/8"	C 13"	N 8"	N 8"	O US: 51 1/2" CAN: 53 1/2"	E US: 22 7/8" CAN: 28 5/8"

*F602 CB V2 NOTE: 1) Hearth Extension calculations include the protection requirement measured forward from the door glass pane
2) Rear Exit chimney connection assumes the connector pipe exits from the rear of the stove connecting directly to the chimney.
If rear vented to a vertical run, the stove position will be dictated by the connector pipe clearance.

**US and CAN measurements are not the same and are not interchangeable.



NOTE: Figures are not to scale

Jøtul F 500 Oslo V3

Heat Output Range:¹ 13,200 to 37,000 BTU/hr. (3.9-10.8 kW)

Max. Heat Output: Up to 70,000 BTU/hr.

Heating Capacity:² Up to 2000 sq. ft.

Maximum Burn Time:² Up to 9 hours

EPA Efficiency:³ HHV: 78.40% LHV: 84.73%

CO Emissions:⁴ .50 g/min.

Pariculate Emissions:⁵ .50 g/hr.

Fuel Length: Up to 24" Logs

Weight: 445 lbs

Bottom Heat Shield included

Optional Accessories

- Rear Heat Shield #154332
- Outside Air Kit #154335
- Blower Kit #156431
- Floor Bracket Kit #750304
- Side Door Lock Kit #155850
- Stovetop Thermometer #5002

Hearth Protection

A Bottom Heat Shield is provided with the stove. Follow these guidelines to form approved hearth protection:

- The hearth protection must extend 18" from both the front and side door openings.
- Any UL, ULC or Warnock-Hersey listed hearth board. (no bottom heat shield required)
- Any noncombustible material that has a minimum R-value of 1.6 (no bottom heat shield required).
- A Bottom Heat Shield is required for alcove installation.

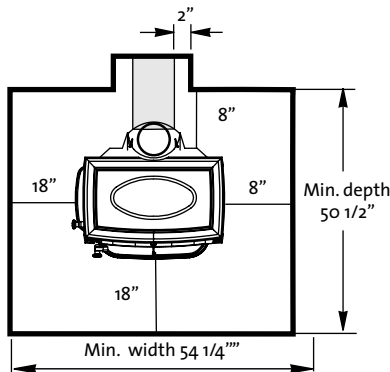


Figure 47. Minimum Hearth Dimensions.

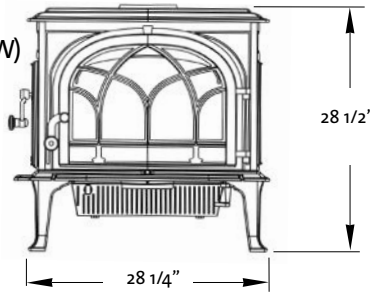
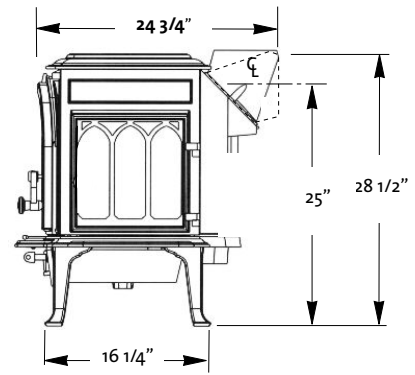


Figure 48. F 500 Oslo dimensions. See clearance chart for flue collar centerline positions.



Alcove Installation Requirements

- The side load door must be locked closed unless a 36" clearance can be maintained to that side. Use Side Door Lock Kit #155850 to permit installation.
- Chimney connection requires listed double-wall pipe.
- Optional Bottom Heat Shield must be installed.
- UL/ULC or WH listed hearth pad or a noncombustible material having a minimum R value of 1.6.
- If used, wall protection must extend 48" (122 cm) from the floor, including bottom air space.
- Min. Ceiling & Connector Clearance, Fig. 52.

A: Top or Rear Exit from hearth

Unprotected: 69 1/2"

Protected: 43 1/2"

Fireplace Clearances

A: Stove to Mantel, max. depth 12": 30"

B: Stove to Top Trim, 1" thick or less: 16"

C: Stove to Side Trim, 1" thick or less: 12"

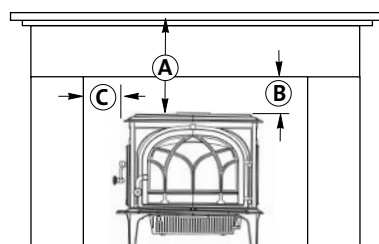


Figure 49. Mantel & Trim Clearances.

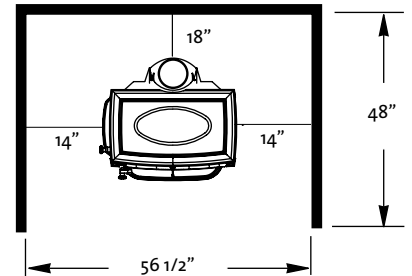


Figure 50. Alcove with unprotected wall clearances.

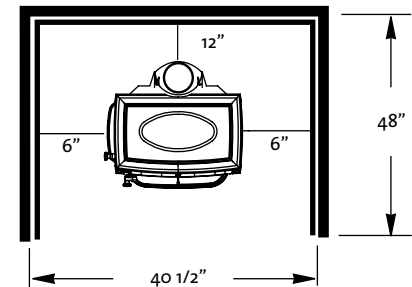


Figure 51. Alcove with protected wall clearances.

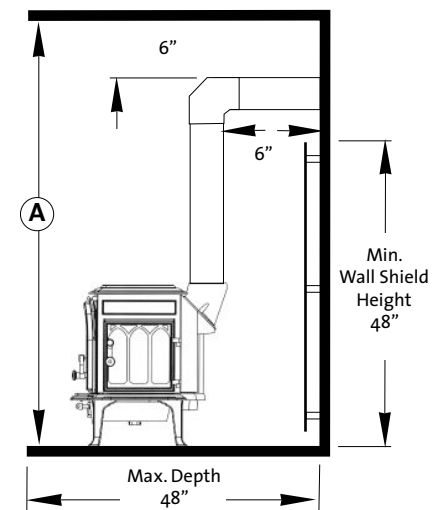


Figure 52. Alcove Ceiling and Double-wall Connector Clearances.

¹ Heat Output Range results are determined during specific emissions tests established by the EPA.

² Heating Capacity and Maximum Burn Time will vary depending on design of home, climate, wood type and operation

³ EPA Validated Efficiency:

High Heat Value and Low Heat Value efficiencies are determined per the CSA B415.1-10 test method. The difference between the HHV and LHV is in how the energy in the exhaust gas water vapor is accounted.

LHV efficiency assumes all the water vapor in combustion gas was condensed and the heat from such was recovered and transferred to the dwelling. HHV calculations do not assume all water vapor is condensed, therefore the HHV value is less than the LHV value.

⁴ Carbon Monoxide Emissions rate results from Test Method CSA B415.1-10.

⁵ Particulate Emissions rate is obtained using EPA Test Methods: ALT-125 (Cordwood Fuel), ASTM E2515-11, ASTM E3053-17

Stove Clearance Diagrams

	UNPROTECTED WALLS					PROTECTED WALLS PER NFPA211 OR CAN/CSA- B365-M93				
	SIDE	REAR	CORNER*	CORNER TO FRONT FLOOR PROTECTION**	FRONT FLOOR PROTECTION WIDTH**	SIDE	REAR	CORNER*	CORNER TO FRONT FLOOR PROTECTION**	FRONT FLOOR PROTECTION WIDTH**
Single Wall Pipe No Heatshields	A 14"	B 18"	C 13"	D US: 65 1/2" CAN: 67 1/2"	E US: 34 1/8" CAN: 44 1/4"	G 6"	F 12"	H 9"	I US: 59 7/8" CAN: 61 7/8"	E US: 34 1/8" CAN: 44 1/4"
Single Wall Pipe w/Rear Heatshield	A 14"	J 10"	H 9"	I US: 59 7/8" CAN: 61 7/8"	E US: 34 1/8" CAN: 44 1/4"	G 6"	J 10"	H 9"	I US: 59 7/8" CAN: 61 7/8"	E US: 34 1/8" CAN: 44 1/4"
Stove with Rear Heatshield With connector shield	A 14"	G 6"	H 9"	I US: 59 7/8" CAN: 61 7/8"	E US: 34 1/8" CAN: 44 1/4"	G 6"	G 6"	G 6"	K US: 55 5/8" CAN: 57 5/8"	E US: 34 1/8" CAN: 44 1/4"
Double Wall Pipe with Rear Heatshield	A 14"	G 6"	H 9"	I US: 59 7/8" CAN: 61 7/8"	E US: 34 1/8" CAN: 44 1/4"	G 6"	G 6"	G 6"	K US: 55 5/8" CAN: 57 5/8"	E US: 34 1/8" CAN: 44 1/4"

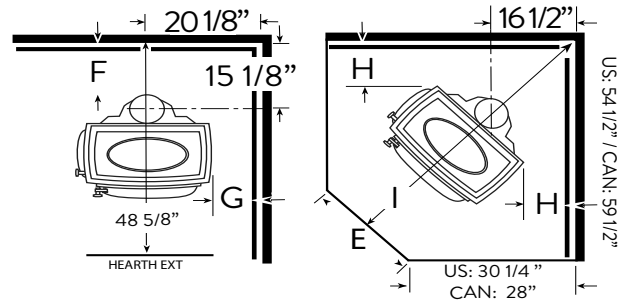
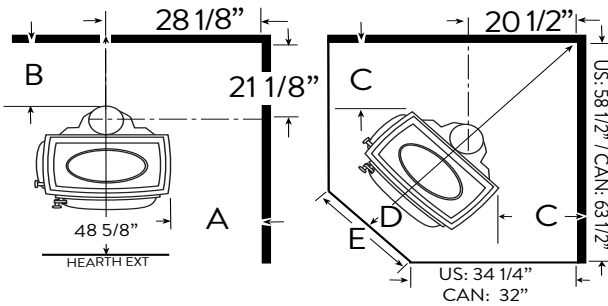
*Use of the left side load door is prohibited in Alcove and Corner installations. Use Side Door Lock Kit # 155850 to permit installation.

**US and CAN measurements are not the same and are not interchangeable.

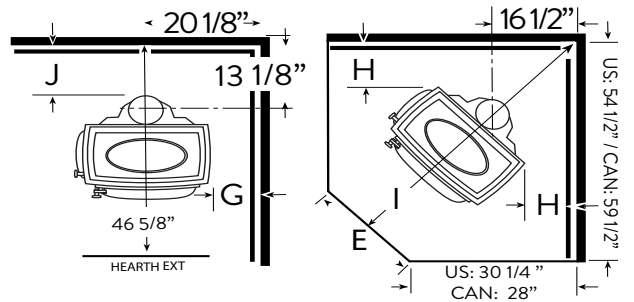
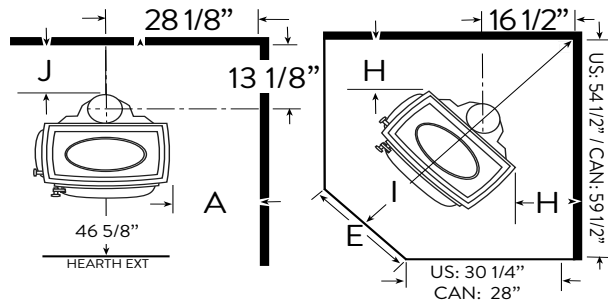
UNPROTECTED WALLS

PROTECTED WALLS PER NFPA 211 OR CAN/CSA-B365-M93

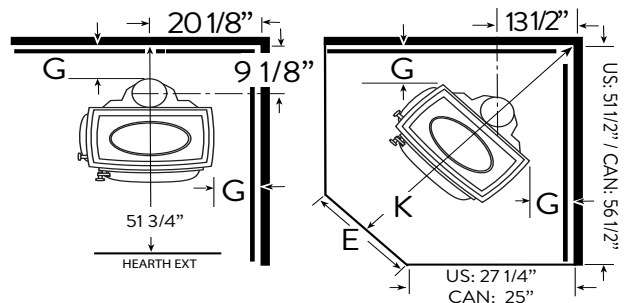
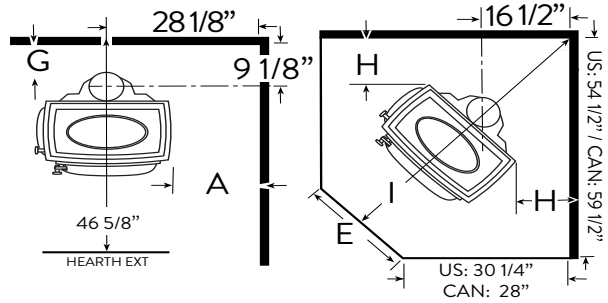
Single Wall Pipe
No Heatshields



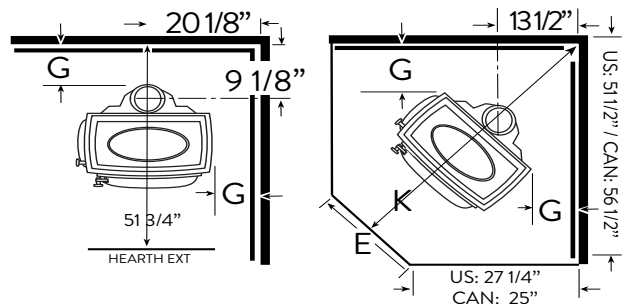
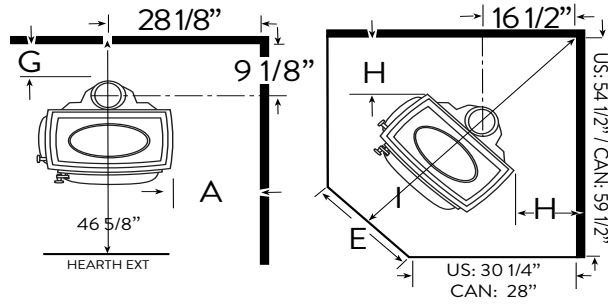
Single Wall Pipe
w/ Heatshields



Stove with Rear Heatshield
w/connector shield



Double wall pipe
w/ Rear Heatshield



NOTE: Figures are not to scale

Jøtul F 45 V2 Greenville

Heat Output Range:¹ 16,748 to 58,657 BTU/hr.

Max. Heat Output: 55,000 BTU/hr.

Heating Capacity:² Up to 1,800 sq. ft.

Maximum Burn Time:² Up to 10 hours

EPA Efficiency:³ HHV: 71 % LHV: 76.55%

CO Emissions:⁴ 1.48 g/min

Particulate Emissions:⁵ 1.80 g/hr - Cord Wood

Fuel Length: Up to 18" Logs

Weight: 445 lbs

Bottom Heat Shield included

Optional Accessories

- Stove Gloves #157363
- Stove Top Thermometer #5002
- Outside Air Kit #157637
- Mobile Home Bracket Kit #157321
- Blower Kit #156431
- Short Leg Kit #157636

Hearth Protection

Any floor that is not composed of concrete poured on earth requires protection from sparks and embers. The Jøtul F 45 Greenville is approved for installation using one of the following forms of hearth protection:

- Any UL, ULC, or Warnock Hersey Listed Type 1 hearth board.
- Any noncombustible material.
- Hearth protection must extend 8" from the sides and back and 16" from the front door opening (18" in Canada)
- In a rear vent installation, floor protection must also extend under the stove pipe a minimum of 2" beyond either side. See figure 59

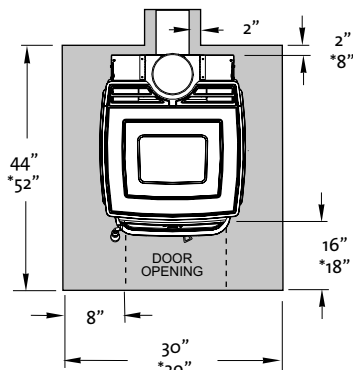


Figure 59. Minimum Hearth Dimensions.
* Denotes requirement for Canada.

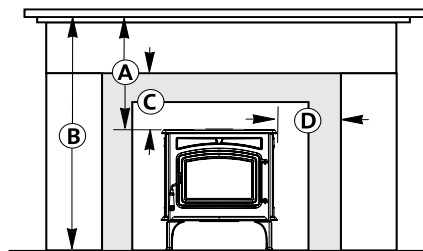


Figure 61. Mantel & Trim Clearances.

Alcove Installation Requirements

- Short Leg option is not approved for use in Alcove installations.
- Chimney connection requires listed double-wall pipe.
- UL/ULC or WH listed hearth pad or a noncombustible material having a minimum R value of 0.5.
- If used, wall protection must extend 48" from the floor, including bottom air space.
- Min. Ceiling & Connector Clearance, Fig. 64.

A: Top or Rear Exit from hearth
Unprotected: 72"
Protected: 65"

Fireplace Clearances - Fig. 61

- A: Stove to Mantel, max. depth 12": 20"
- B: Floor to Mantel: 49-75"
- C: Stove to Top Trim, 1" thick or less: 16"
- D: Stove to Side Trim, 1" thick or less: 8"

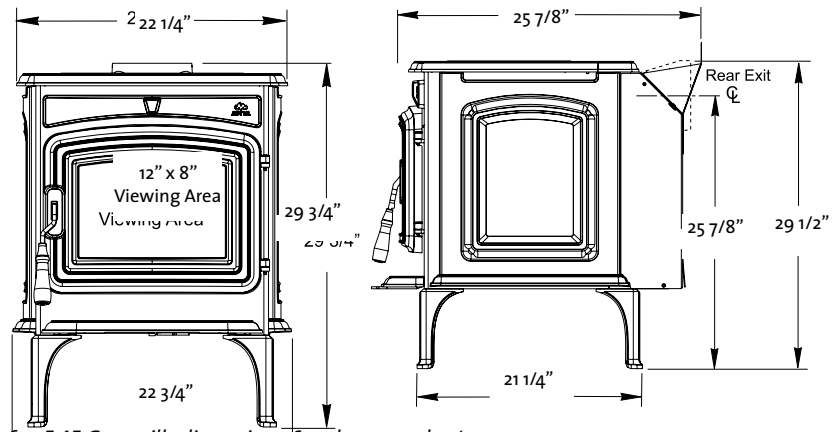


Figure 60. F 45 Greenville dimensions. See clearance chart for flue collar centerline positions.

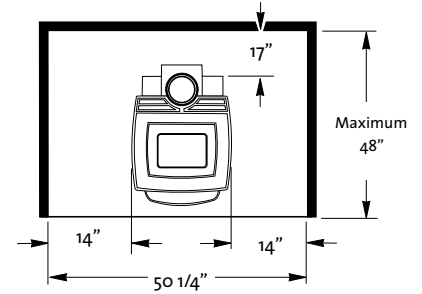


Figure 62. Alcove with no wall protection.

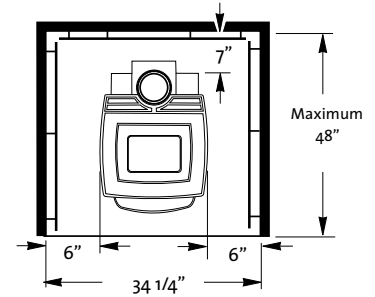


Figure 63. Alcove with wall protection.

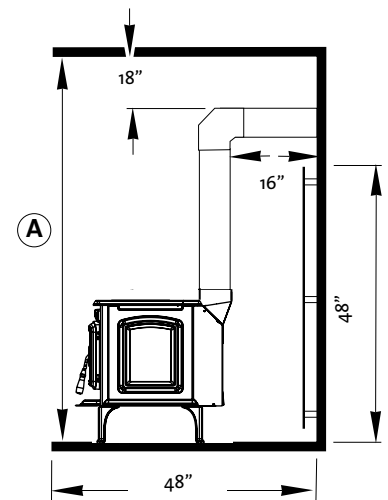


Figure 64. Alcove Ceiling and Double-wall Connector Clearances.

¹ Heat Output Range results are determined during specific emissions tests established by the EPA.
² Heating Capacity and Maximum Burn Time will vary depending on design of home, climate, wood type and operation
³ EPA Validated Efficiency: High Heat Value and Low Heat Value efficiencies are determined per the CSA B415.1-10 test method. The difference between the HHV and LHV is in how the energy in the exhaust gas water vapor is accounted. LHV efficiency assumes all the water vapor in combustion gas was condensed and the heat from such was recovered and transferred to the dwelling. HHV calculations do not assume all water vapor is condensed, therefore the HHV value is less than the LHV value.
⁴ Carbon Monoxide Emissions rate results from Test Method CSA B415.1-10.
⁵ Particulate Emissions rate is obtained using EPA Test Methods: ALT-125 (Cordwood Fuel), ASTM E2515-11, ASTM E3053-17

Stove Clearance Diagrams

Jøtul F 45 V2 Greenville

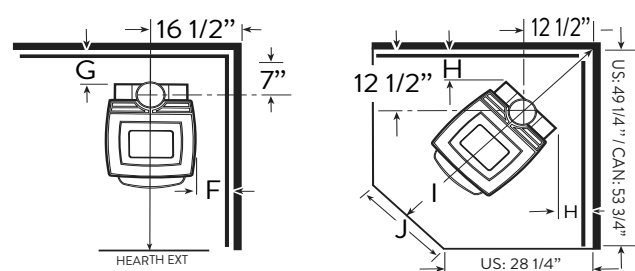
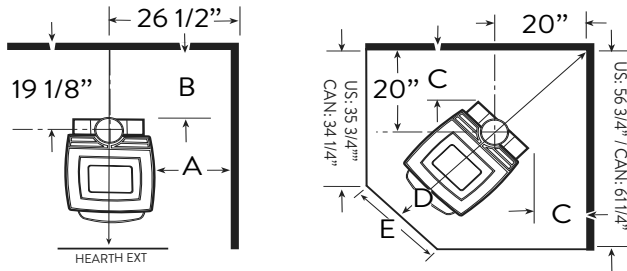
	UNPROTECTED WALLS					PROTECTED WALLS PER NFPA211 OR CAN/CSA- B365-M93				
	SIDE	REAR	CORNER	CORNER TO FRONT FLOOR PROTECTION**	FRONT FLOOR PROTECTION WIDTH**	SIDE	REAR	CORNER	CORNER TO FRONT FLOOR PROTECTION**	FRONT FLOOR PROTECTION WIDTH**
Single Wall Connector	A 15"	B 16"	C 11"	D US: 65 1/2" CAN: 67 1/2"	E US: 30 7/8" CAN: 38 1/4"	F 5"	G 4"	H 3.5"	I US: 54 7/8" CAN: 56 7/8"	J US: 30 7/8" CAN: 38 1/4"
Single Wall Connector w/Flue Collar Heat Shield	A 15"	K 10"	C 11"	D US: 65 1/2" CAN: 67 1/2"	E US: 30 7/8" CAN: 38 1/4"	F 5"	G 4"	H 3.5"	I US: 54 7/8" CAN: 56 7/8"	J US: 30 7/8" CAN: 38 1/4"
Double Wall Connector	A 15"	L 6"	C 11"	D US: 65 1/2" CAN: 67 1/2"	E US: 30 7/8" CAN: 38 1/4"	F 5"	G 4"	H 3.5"	I US: 54 7/8" CAN: 56 7/8"	J US: 30 7/8" CAN: 38 1/4"
Double Wall Connector w/Flue Collar Heat Shield	A 15"	L 6"	C 11"	D US: 65 1/2" CAN: 67 1/2"	E US: 30 7/8" CAN: 38 1/4"	F 5"	G 4"	H 3.5"	I US: 54 7/8" CAN: 56 7/8"	J US: 30 7/8" CAN: 38 1/4"

**US and CAN measurements are not the same and are not interchangeable.

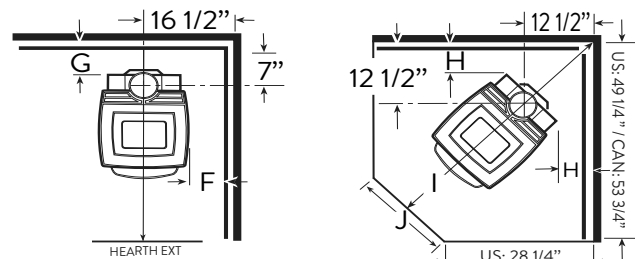
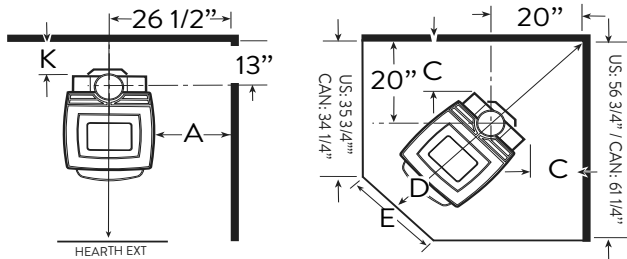
UNPROTECTED WALLS

PROTECTED WALLS PER NFPA 211 OR CAN/CSA-B365-m93

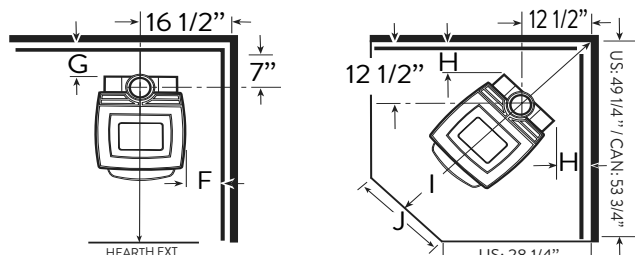
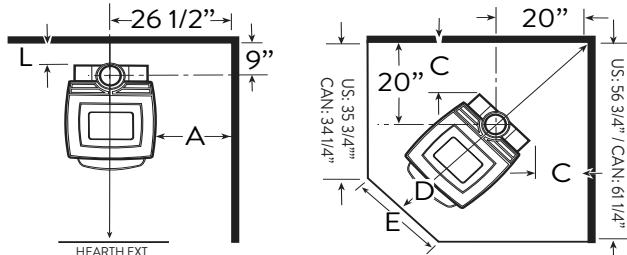
Single Wall Connector



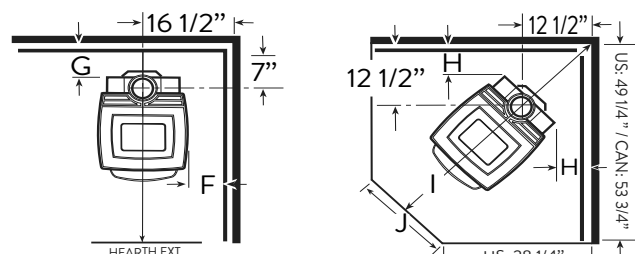
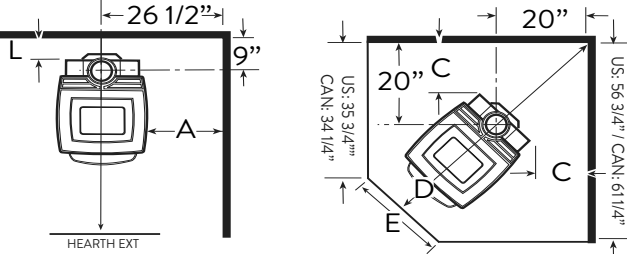
Single Wall Connector
with Flue Collar Heat Shield



Double Wall Connector



Double Wall Connector
with Flue Collar Heat Shield



NOTE: Figures are not to scale

Jøtul F 55 V2 Carrabassett

- Heat Output Range:¹ 18,962 to 84,311 BTU/hr.
- Heating Capacity:² Up to 2,300 sq. ft.
- Maximum Burn Time:² Up to 10 hours
- EPA Efficiency:³ HHV: 67.97% LHV: 73.13%
- CO Emissions:⁴ 1.06 g/min.
- Pariculate Emissions:⁵ 1.31 g/hr
- Fuel Length: Up to 18" Logs (Front to Back)
- Weight: 475 lbs

Bottom Heat Shield included

Optional Accessories

- Stove Gloves #157363
- Stove Top Thermometer #5002
- Outside Air Kit #158208
- Mobile Home Bracket Kit #157321
- Blower Kit #156431
- Short Leg Kit #158209

Hearth Protection

Any floor that is not composed of concrete poured on earth requires protection from sparks and embers. The Jøtul F 55 Carrabassett approved for installation using one of the following forms of hearth protection:

- Any UL, ULC, or Warnock Hersey Listed Type 1 hearth board.
- Any noncombustible material.
- Hearth protection must extend 8" from the sides and back and 16" from the front door opening (18 1/8" in Canada)
- In a rear vent installation, floor protection must also extend under the stove pipe a minimum of 2" beyond either side. See figure 71.

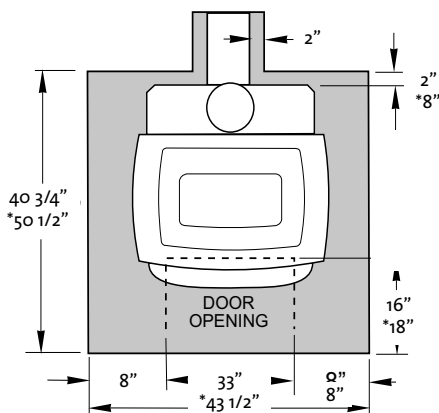


Figure 71. Minimum Hearth Dimensions.
* Denotes requirement for Canada.

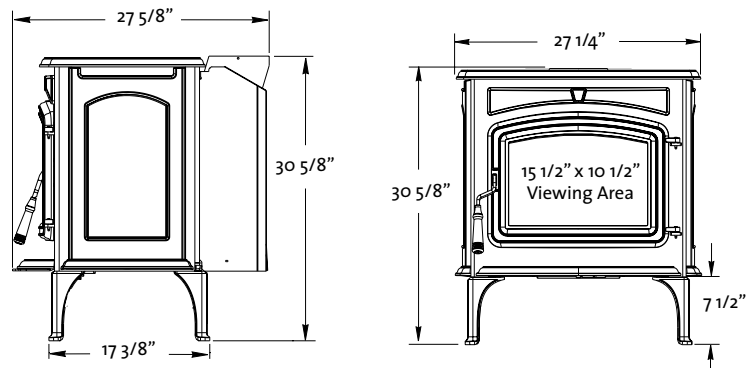


Figure 72. F 55 Carrabassett dimensions. See clearance chart for flue collar centerline positions.

Fireplace Clearances

- A: Stove to Mantel, max. depth 12": 35"
- B: Floor to Mantel: 66"
- C: Stove to Top Trim, 1" thick or less: 31"
- D: Stove to Side Trim, 1" thick or less: 14"

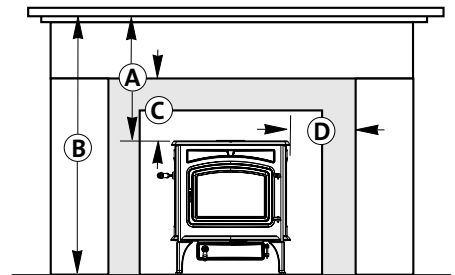


Figure 73. Mantel & Trim Clearances.

Alcove Installation Requirements

- Chimney connection requires listed double-wall pipe.
- Optional Bottom Heat Shield must be installed.
- UL/ULC or WH listed hearth pad or a noncombustible material having a minimum R value of 0.5.
- Min. Ceiling Clearance from hearth Fig. 76.

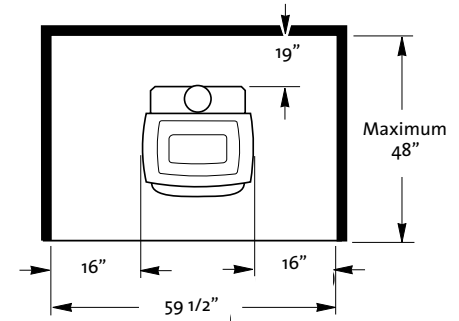


Figure 74. Alcove with no wall protection.

- Wall and ceiling protection, if used, must extend over the entire area.

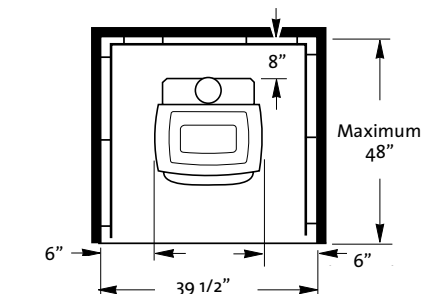


Figure 75. Alcove with wall protection.

- A: Unprotected: 72"
Protected: 59"

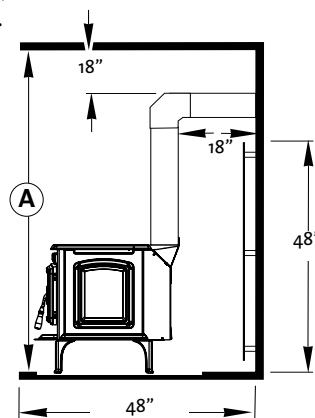


Figure 76. Alcove Ceiling and Double-wall Connector Clearances.

¹ Heat Output Range results are determined during specific emissions tests established by the EPA.
² Heating Capacity and Maximum Burn Time will vary depending on design of home, climate, wood type and operation
³ EPA Validated Efficiency: High Heat Value and Low Heat Value efficiencies are determined per the CSA B415.1-10 test method. The difference between the HHV and LHV is in how the energy in the exhaust gas water vapor is accounted.
 LHV efficiency assumes all the water vapor in combustion gas was condensed and the heat from such was recovered and transferred to the dwelling. HHV calculations do not assume all water vapor is condensed, therefore the HHV value is less than the LHV value.
⁴ Carbon Monoxide Emissions rate results from Test Method CSA B415.1-10.
⁵ Particulate Emissions rate is obtained using EPA Test Methods: ALT-125 (Cordwood Fuel), ASTM E2515-11, ASTM E3053-17

Jøtul F 55 V2 Carrabassett

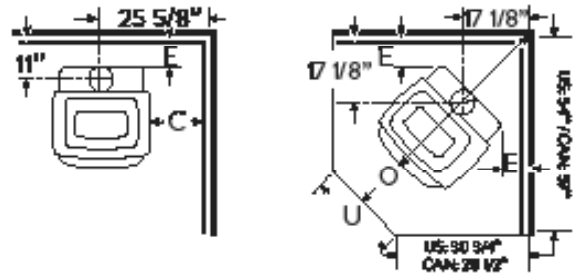
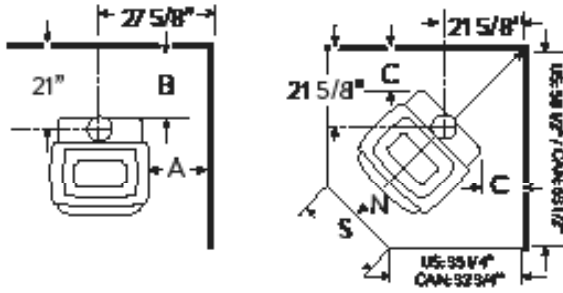
	UNPROTECTED WALLS					PROTECTED WALLS PER NFPA211 OR CAN/CSA- B365-M93				
	SIDE	REAR	CORNER	CORNER TO FRONT FLOOR PROTECTION**	FRONT FLOOR PROTECTION WIDTH**	SIDE	REAR	CORNER	CORNER TO FRONT FLOOR PROTECTION**	FRONT FLOOR PROTECTION WIDTH**
Single Wall Connector	A 14"	B 18"	C 12"	N US: 66 1/8" CAN: 68 1/8"	S US: 32 7/8" CAN: 43 1/2"	C 12"	D 8"	E 7 1/2"	O US: 59 3/4" CAN: 61 3/4"	U US: 32 7/8" CAN: 43 1/2"
Single Wall Connector w/Flue Collar Heat Shield	F 16"	G 10"	H 11"	P US: 64 3/4" CAN: 66 3/4"	S US: 32 7/8" CAN: 43 1/2"	D 8"	I 5"	I 5"	Q US: 56 1/4" CAN: 58 1/4"	U US: 32 7/8" CAN: 43 1/2"
Double Wall Connector	A 14"	J 9"	C 12"	N US: 66 1/8" CAN: 68 1/8"	S US: 32 7/8" CAN: 43 1/2"	K 6"	D 8"	I 5"	Q US: 56 1/4" CAN: 58 1/4"	U US: 32 7/8" CAN: 43 1/2"
Double Wall Connector w/Flue Collar Heat Shield	A 14"	K 6"	C 12"	N US: 66 1/8" CAN: 68 1/8"	S US: 32 7/8" CAN: 43 1/2"	I 5"	K 6"	L 2.5"	R US: 52 3/4" CAN: 54 3/4"	U US: 32 7/8" CAN: 43 1/2"

**US and CAN measurements are not the same and are not interchangeable.

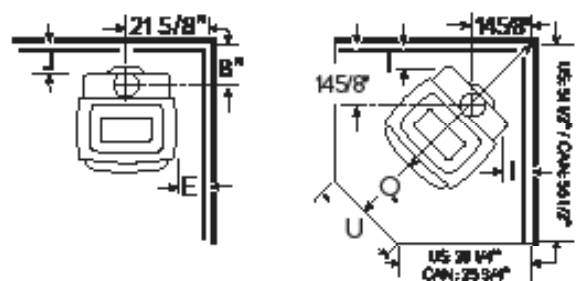
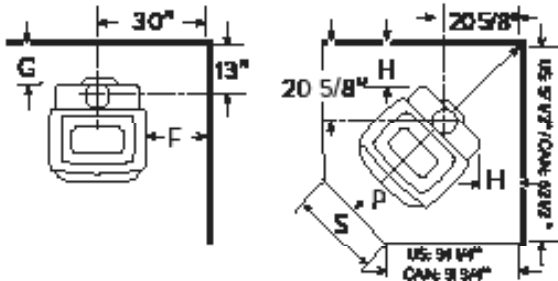
UNPROTECTED WALLS

PROTECTED WALLS PER NFPA 211 OR CAN/CSA B365-M93

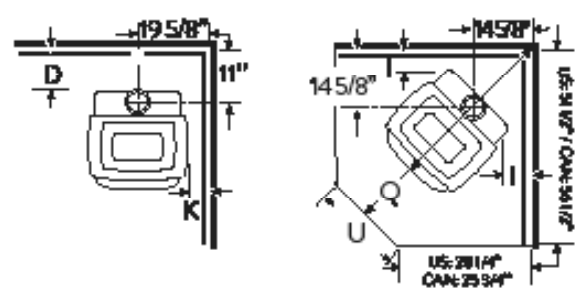
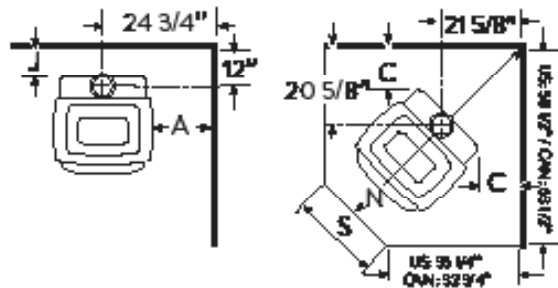
Single Wall Connector



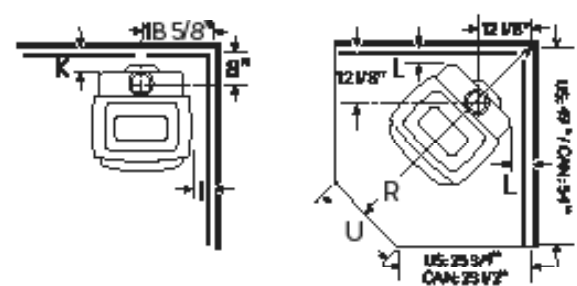
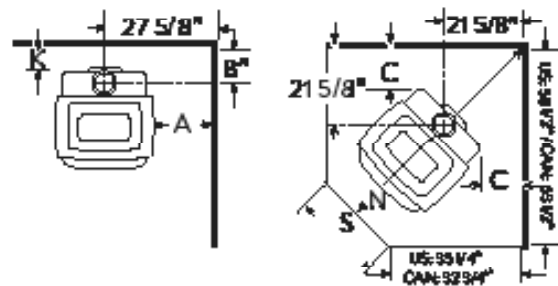
Single Wall Connector with Flue Collar Heat Shield



Double Wall Connector



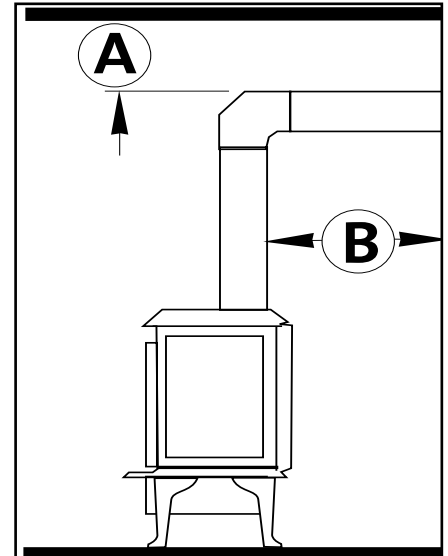
Double Wall Connector with Flue Collar Heat Shield



NOTE: Figures are not to scale

Chimney Connector Clearances		UNPROTECTED SURFACE	PROTECTED SURFACE <small>per NFPA 211 or CAN/CSA B-365-M93</small>
F 602 CB V2*	Single Wall A	18" / 460 mm	9" / 230 mm
	Double Wall A	Mfg's Listing	Mfg's Listing
	Single Wall B	18" / 460 mm	6" / 150 mm
	Double Wall B	Mfg's Listing	Mfg's Listing
F500 Oslo V3	Single Wall A	18" / 460 mm	12" / 300 mm
	Double Wall A	6" / 180 mm	6" / 180 mm
	Single Wall B	18" / 460 mm	12" / 300 mm
	Double Wall B	6" / 150 mm	6" / 150 mm
F45 V2 Greenville	Single Wall A	15" / 460 mm	5" / 300 mm
	Double Wall A	15" / 180 mm	5" / 180 mm
	Single Wall B	16" / 460 mm	4" / 300 mm
	Double Wall B	6" / 150 mm	7" / 150 mm
F55 V2 Carrabasset	Single Wall A	14" / 460 mm	12" / 300 mm
	Double Wall A	14" / 180 mm	6" / 180 mm
	Single Wall B	18" / 460 mm	8" / 300 mm
	Double Wall B	9" / 150mm	8" / 150 mm

Chimney Connector Diagram



This page is intentionally left blank



Jøtul has a policy of constant improvement and upgrading. Products therefore may differ in specification, design, material, cost or dimensions at any time without prior notice.

