

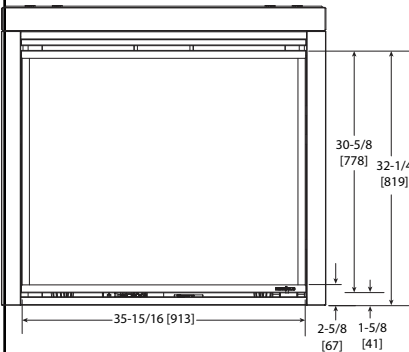
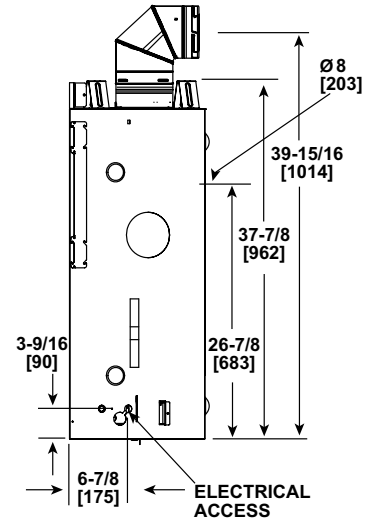
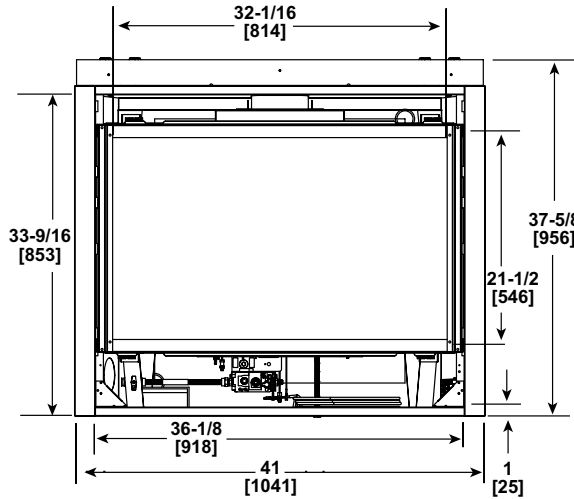
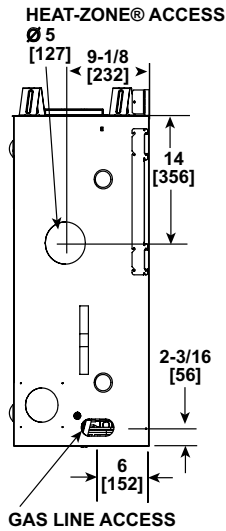
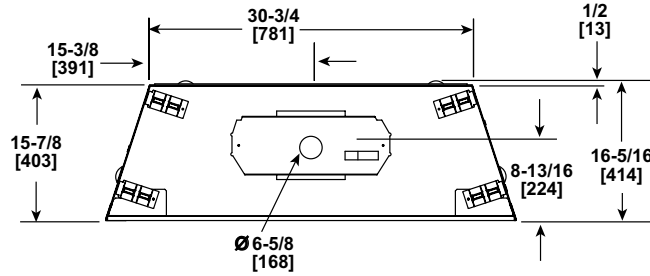


Please consult the manufacturer's installation manual for all details and requirements before making a final design layout decision.

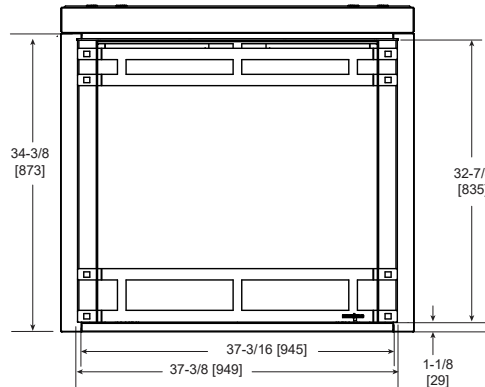
# SL-7/7X

Direct Vent Gas Fireplace

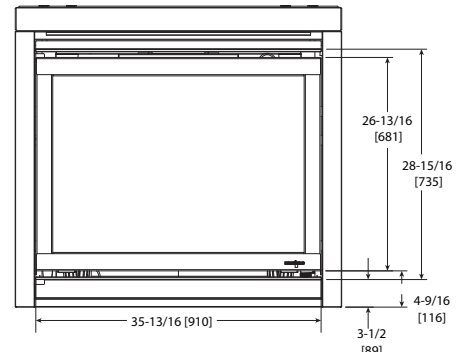
MODEL	FRONT WIDTH		BACK WIDTH		HEIGHT		DEPTH		GLASS SIZE
	Actual	Framing	Actual	Framing	Actual	Framing	Actual	Framing	
SL-7/7X	41 [1041]	42 [1067]	30-3/4 [781]	42 [1067]	37-7/8 [962]	38-1/4 [972]	16-5/16 [415]	16-1/4 [413]	32-1/16 X 21-1/2 [814 x 546]



Firescreen Front



Arcadia, Halston, and Chateau Forge Fronts



Clean Face Front

**MINIMUM FIREPLACE CLEARANCES**

AREA	TO COMBUSTIBLES (in inches)
CLEARANCE TO CEILING	32 [51]
COMBUSTIBLE/NON-COMBUSTIBLE FLOOR	0 [0]
BEHIND APPLIANCE	1/2 [13]
SIDES OF APPLIANCE	1/2 [13]
FRONT OF APPLIANCE	36 [914]

**APPLIANCE LOCATION**

Model		A	B	C	E	F	G
SL-7/7X	in	45-1/2	42	64-3/8	1	1/2	45-1/2
	mm	1155	1067	1635	25	13	1155
		H	I	J	K	L	M
SL-7/7X	in	64-3/8	16-1/4	48-1/2	68-3/4	16-5/8	7-1/2
	mm	1635	413	1232	1737	422	191

**WALL PENETRATION**

**MANTEL LEG/WALL PROJECTIONS**

**Mantel Leg Projection**  
(acceptable on both sides of opening)

**Wall Projection**  
(acceptable on one side of opening)

**FRAMING DIMENSIONS**

	A Rough Opening (Width)		B Rough Opening (Height)	C Rough Opening (Depth)		D Rough Opening (Width)
	DVP pipe	SLP pipe		DVP pipe	SLP pipe	
in	10	8-5/8	38-1/4	16-1/4	16-1/4	42
mm	254	219	971	413	413	1067

**CLEARANCES TO COMBUSTIBLES**

**MANTEL PROJECTIONS**

PRODUCT LISTING CODES	
US	ANSI Z21.88a-2014
CAN	CSA 2.33a-M2014
US LISTED	UL307B

Product information provided is not complete and is subject to change without notice. Product installation must adhere strictly to instructions accompanying product to avoid risk of fire and potential injury.

Additional information can be found online at [www.heatnglo.com](http://www.heatnglo.com)