

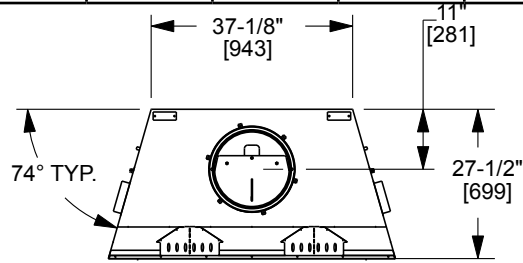


Please consult the manufacturer's installation manual for all details and requirements before making a final design layout decision.

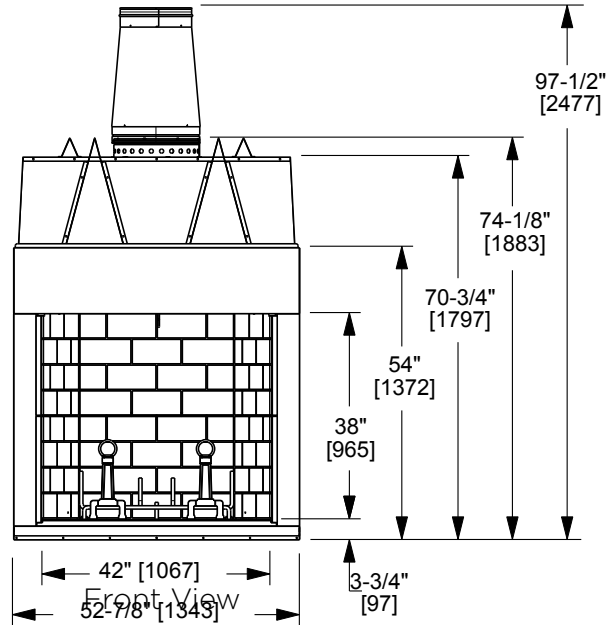
Rutherford

42" Wood Fireplace

MODEL	FRONT WIDTH		BACK WIDTH		HEIGHT		DEPTH		FIREPLACE OPENING
	Actual	Framing	Actual	Framing	Actual	Framing	Actual	Framing	
RUTH-42	52-7/8	53-7/8	37-1/8	53-7/8	74-1/8	74-1/2	27-1/2	28-1/2	42 x 38

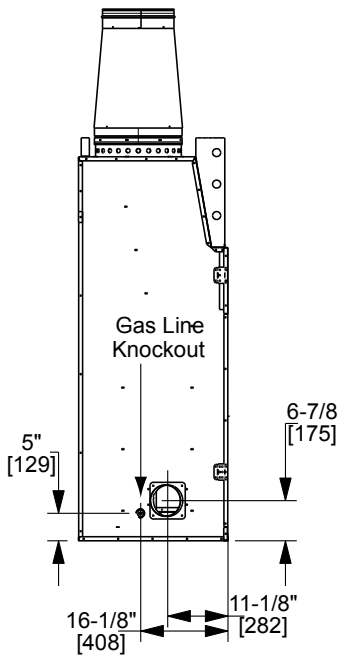


Top View

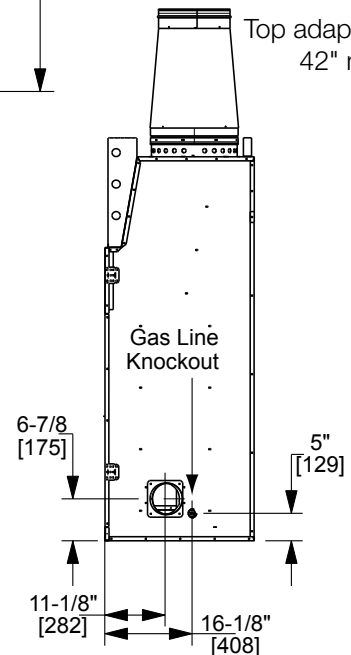


Front View

Top adapter only for 42" model

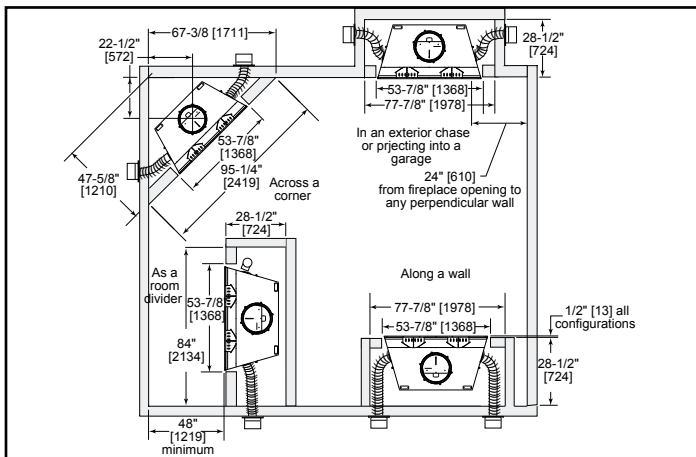


Left Side View

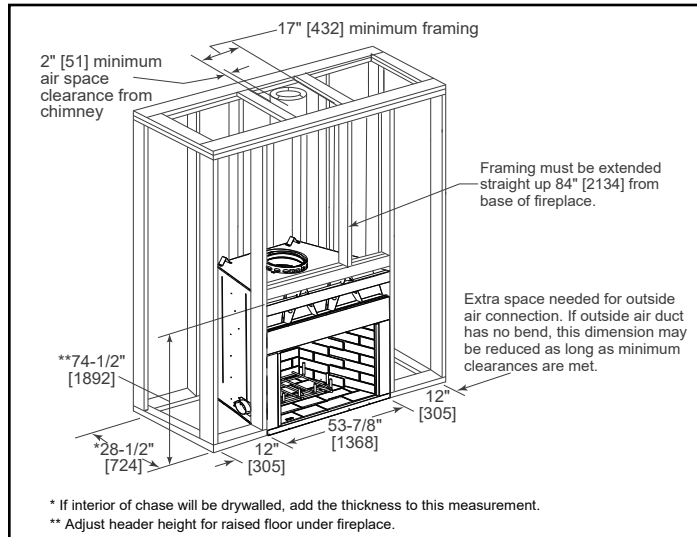


Right Side View

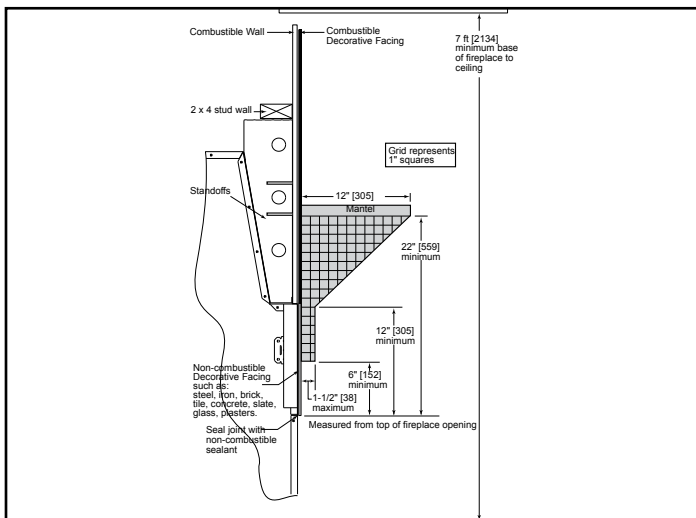
APPLIANCE LOCATION



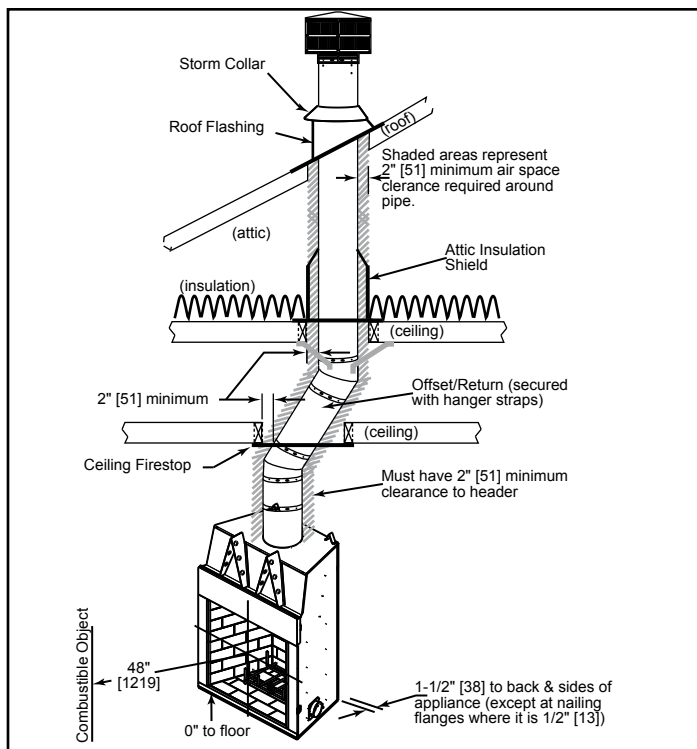
FRAMING DIMENSIONS



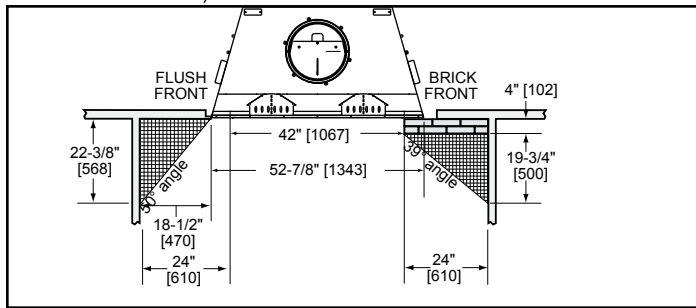
MANTEL PROJECTIONS



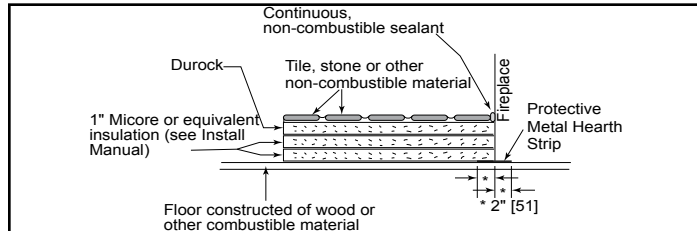
CLEARANCES TO COMBUSTIBLES



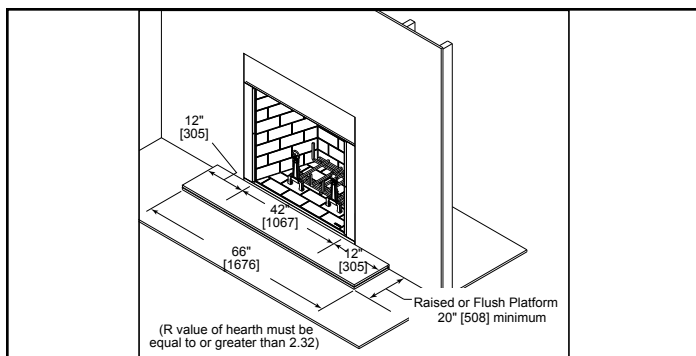
MANTEL LEG/WALL PROJECTIONS



HEARTH EXTENSION CONSTRUCTION



HEARTH EXTENSIONS



PRODUCT LISTING CODES	
US	UL 127

Product information provided is not complete and is subject to change without notice. Product installation must adhere strictly to instructions accompanying product to avoid risk of fire and potential injury.

Additional information can be found online at www.heatnglo.com