



Fireplace Insert Specifications for the GI 635 DV IPI

This guide is only intended for use on-site as a quick reference tool. Final installation must conform to the requirements specified in the Installation Manual included with each unit and also available at www.jotul.us.

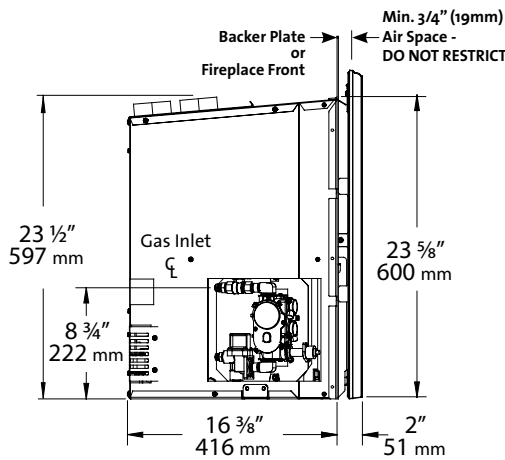
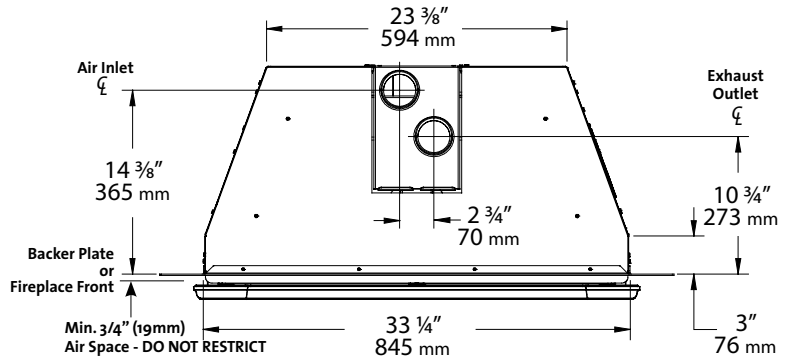
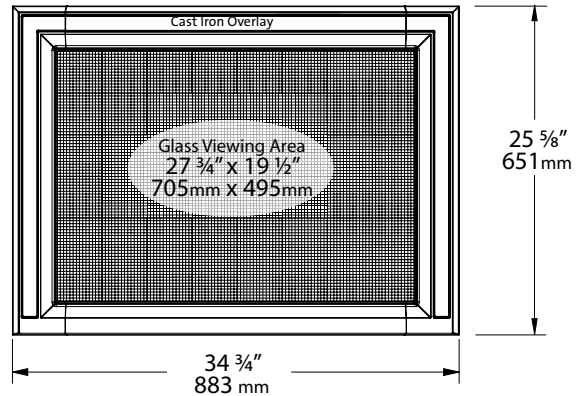


Fig. 1.



Minimum Fireplace Dimensions

- A - Inside Height = 24" (610mm)
- B - Inside Width = 23 1/2" (597mm) at 16 1/2" of depth
- C - Inside Depth = 16 1/2" (420mm)
- D - Opening Height = 24" (610mm)
- E - Opening Width = 33 3/4" (857mm)

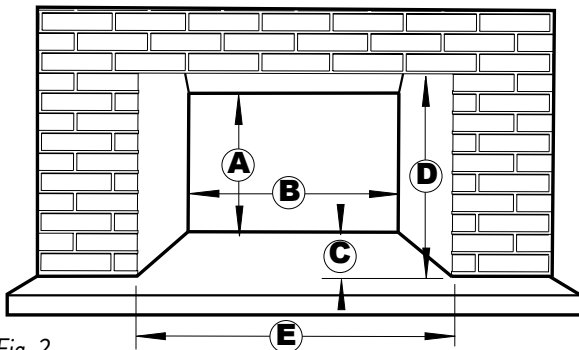


Fig. 2.

Maximum Fireplace Opening

Cast Iron Overlay:

Will cover a maximum fireplace opening 25 3/8" high x 34 1/2" wide. (645mm x 876mm)

NOTE: If a Backer Plate will not be used, Backerless Overlay Hanger Kit 157802 must be installed on the insert firebox in order to attach the Overlay assembly.

Backer Plate Options

The Backer Plate functions to neatly cover the fireplace opening between the insert shell and the fireplace walls.

Standard Backer Plates are fabricated of 12 gauge, aluminized steel, finished in high-temperature Matte Black powder coating.

Trimable Backer Plates are fabricated of 22 ga. aluminized steel finished in Matte Black paint.

Choose an overall size that is at least 1 inch larger than your fireplace opening.

157799 3-Sided Backer Plate - 28 1/4"H x 40"W

157800 3-Sided Backer Plate - 31"H x 42" W

157801 3-Sided Backer Plate - 34"H x 46"W

157826 3-Sided Trimable Backer Plate - 38"H x 47 3/4"W

157827 4-Sided Trimable Backer Plate - 38 5/8"H x 47 3/4"W

Intended for flush-faced fireplace installations.

Make a Footprint Template - GI 635 DV IPI

Materials:

Foam Core or Cardboard Straight Edge
Utility Knife Tape Measure Marker

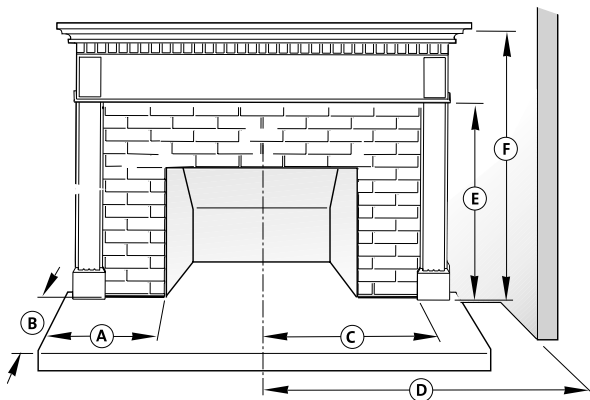
1. Trim the board to a rectangle measuring 33 3/4" x 16 1/2". (857mm x 419mm)
2. Draw a centerline at 16 7/8" (429mm).
3. Mark the rear corners at 11 3/4" (298mm) to the left and right of center.
4. Measure and mark 3" (76mm) back from the front corners on each side. Draw a cut-line from those marks to the rear corner marks and trim the sides along those cut-lines.
5. Tape this instruction sheet to the template for future reference.

Hearth Requirements

Hearth protection in front of the GI 635 DV IPI must be composed of masonry material extending at least 4 1/8" (105mm) to each side of the fireplace opening and 12" (305mm) forward from the fireplace facing material.

Raised Hearth: Forward hearth protection may be reduced by two inches (51mm) for every inch of fireplace floor elevation. See manual for further details.

Fig. 3.



A: Hearth Protection Width:

- Unit flush or raised: Min. 4 1/8" (105mm) from fireplace opening

B: Hearth Protection Depth:

- Unit flush with hearth: 12" (305mm)
- Unit raised minimum 6" off floor: 0"

C: Side Trim Clearance:

- Up to 6" (152mm) depth, from fireplace center line: 21" (533mm)

D: Side Room Wall Clearance:

- From the fireplace center line: 24" (610mm)

E: Top Trim Clearance from hearth: 37" (940mm)

F: Mantel Clearance from hearth: See fig. 4.

Clearance Requirements

The following clearances and hearth specifications are the minimum requirements for installing this appliance into a solid fuel-burning fireplace.

A combustible surface is anything that can burn (i.e. sheet rock, wallpaper, wood, fabrics, etc.). These surfaces are not limited to those that are visible and also include materials that are behind non-combustibles.

If you are not sure of the combustible nature of a material, consult your local fire officials. "Fire Resistant" materials are considered combustible; they are difficult to ignite, but will burn. "Fire-rated" sheet rock is also considered combustible.

Always maintain the proper clearances to allow for the flow of ventilation air around the insert.

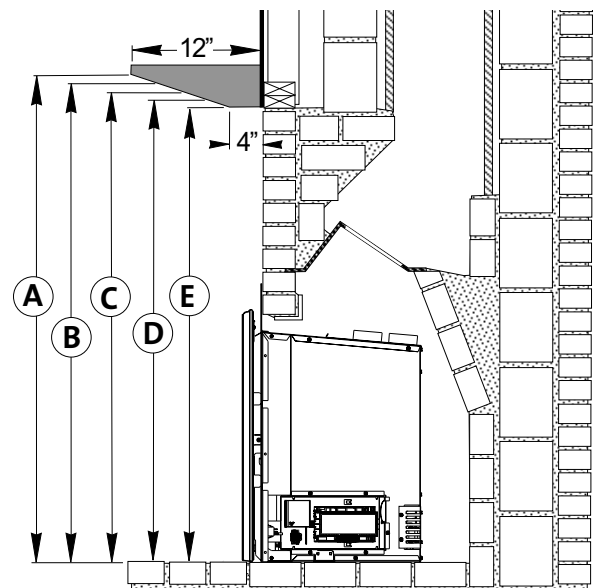


Fig. 4.

Mantel and Top Trim Clearances

Measure clearances from the finished floor of the fireplace opening.

	Floor to Mantel	Mantel Projection
A:	41" (104 cm)	12" (30.5 cm)
B:	40" (102 cm)	10" (25.4 cm)
C:	39" (99 cm)	8" (20.3 cm)
D:	38" (97 cm)	6" (15.2 cm)
E:	37" (94 cm)	4" (10.2 cm)

Minimum Ceiling Height from fireplace floor:
55 1/4" (140.3 cm)