



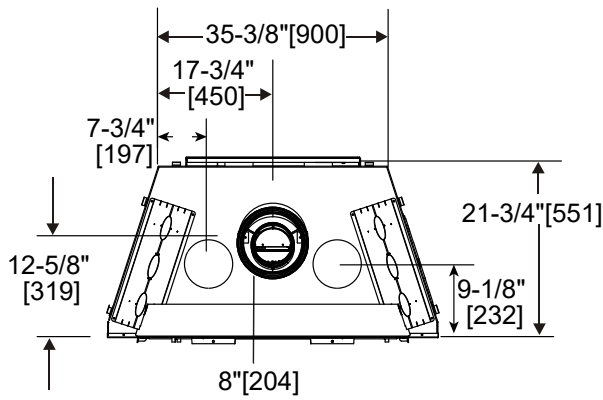
Please consult the manufacturer's installation manual for all details and requirements before making a final design layout decision.

Cerona 42

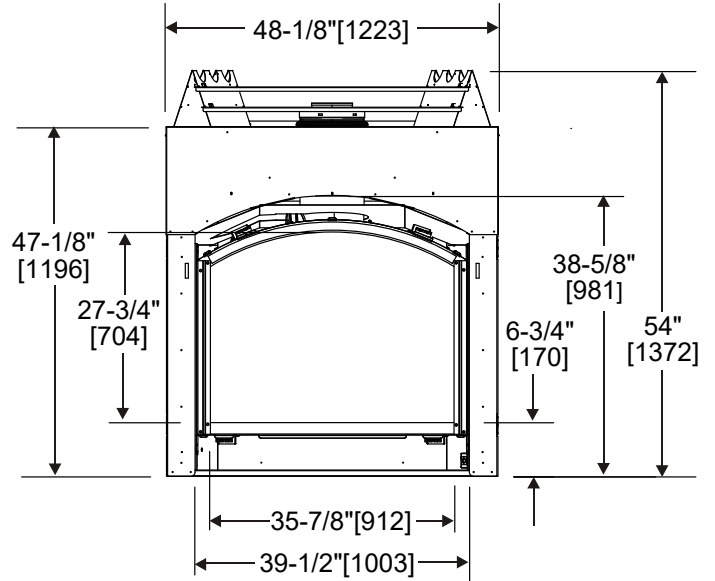
Direct Vent Gas Fireplace

MODEL	FRONT WIDTH		BACK WIDTH		HEIGHT		DEPTH		VIEWING AREA
	Actual	Framing	Actual	Framing	Actual	Framing	Actual	Framing	
CERONA-42-IFT	48-1/8 [1223]	49-1/8 [1248]	35-3/8 [900]	49-1/8 [1248]	54 [1372]	54-1/2 [1384]	21-3/4 [551]	22-1/4 [565]	35-7/8 X 27-3/4 [912 X 704]

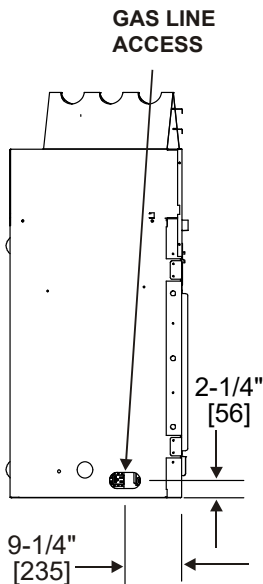
TOP VIEW



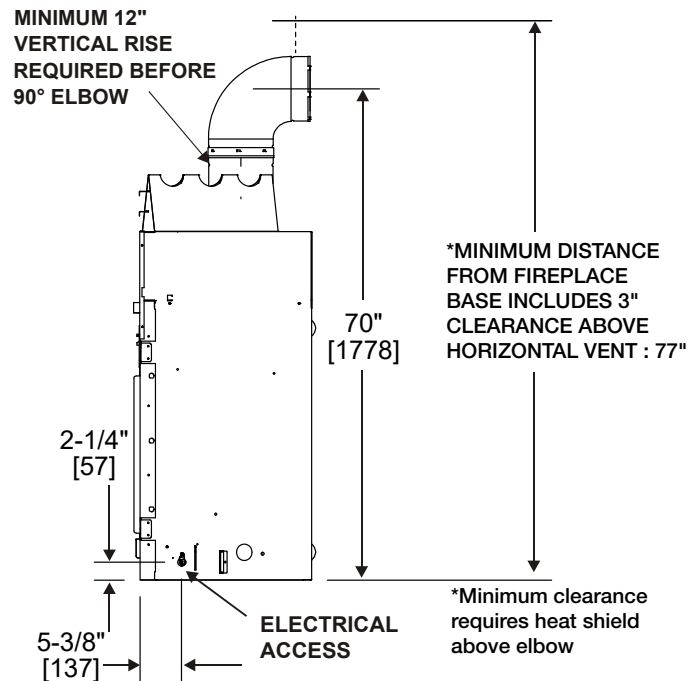
FRONT VIEW



LEFT VIEW



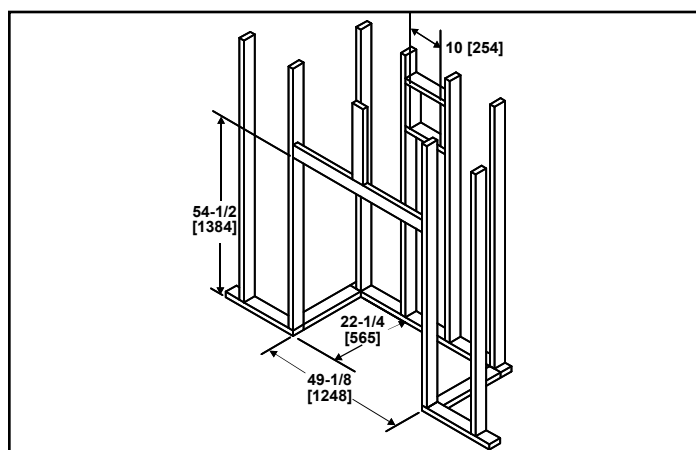
RIGHT VIEW



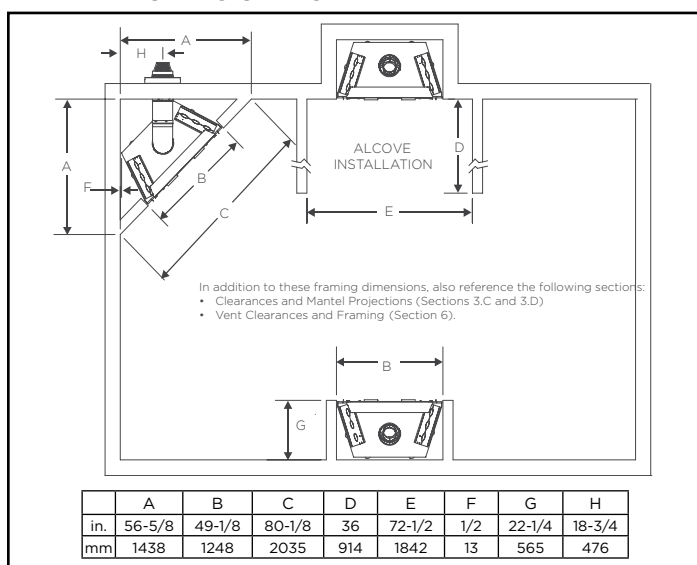
MINIMUM FIREPLACE CLEARANCES

AREA	TO COMBUSTIBLES (in inches)
CLEARANCE TO CEILING FROM TOP OF ARCH OPENING	45-1/4
NON-COMBUSTIBLE FLOOR	0
COMBUSTIBLE FLOORING	8
BEHIND APPLIANCE	1/2
SIDES OF APPLIANCE	1/2
FRONT OF APPLIANCE	36

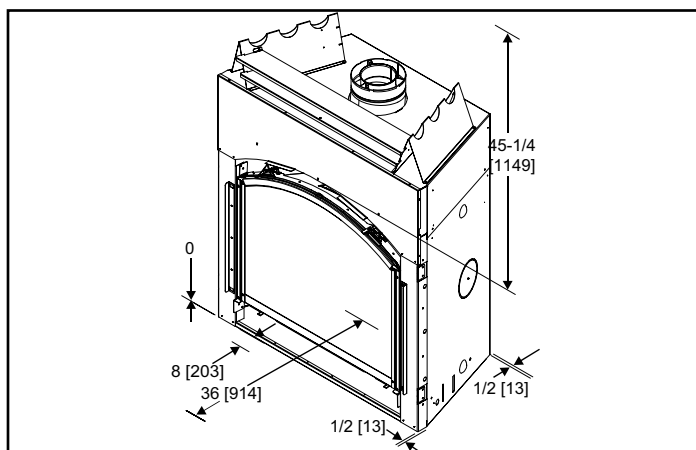
FRAMING DIMENSIONS



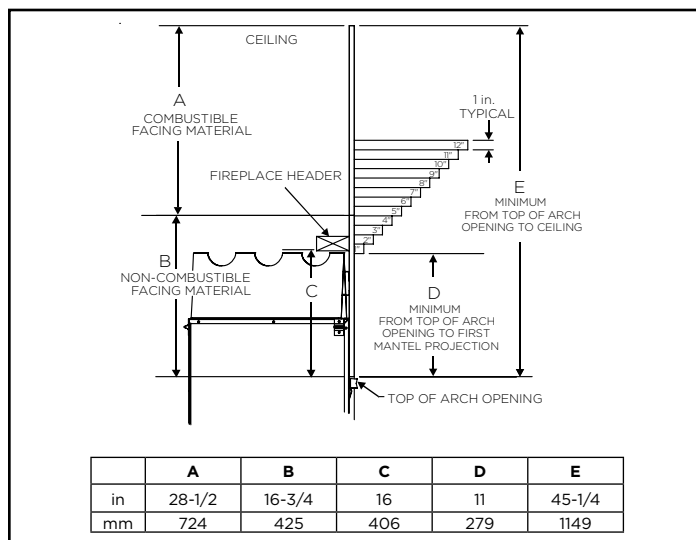
APPLIANCE LOCATION



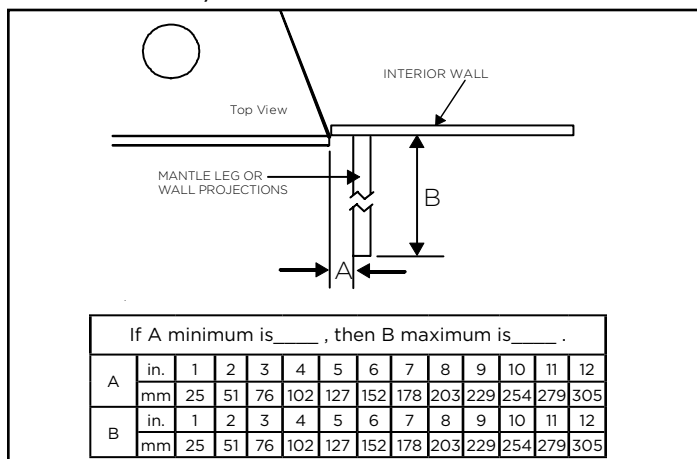
CLEARANCES TO COMBUSTIBLES



MANTEL PROJECTIONS



MANTLE LEG/WALL PROJECTIONS



PRODUCT LISTING CODES	
US	ANSI Z21.88-2019
CAN	CSA 2.33-2019
	UL307B

Product information provided is not complete and is subject to change without notice. Product installation must adhere strictly to instructions accompanying product to avoid risk of fire and potential injury.

Additional information can be found online at www.heatnglo.com